

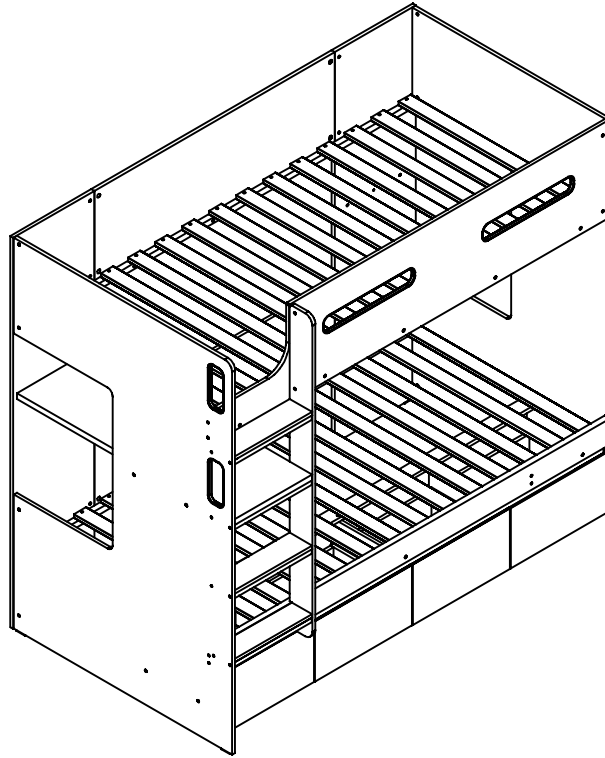
# Model : Montana

## Product Size : 940 x 1930mm (Base Int Size)

Thank you for purchasing this product. Before starting assembly we suggest you spend a short time reading through this leaflet, then follow the simple step by step guide. Two people are needed to assemble this product.

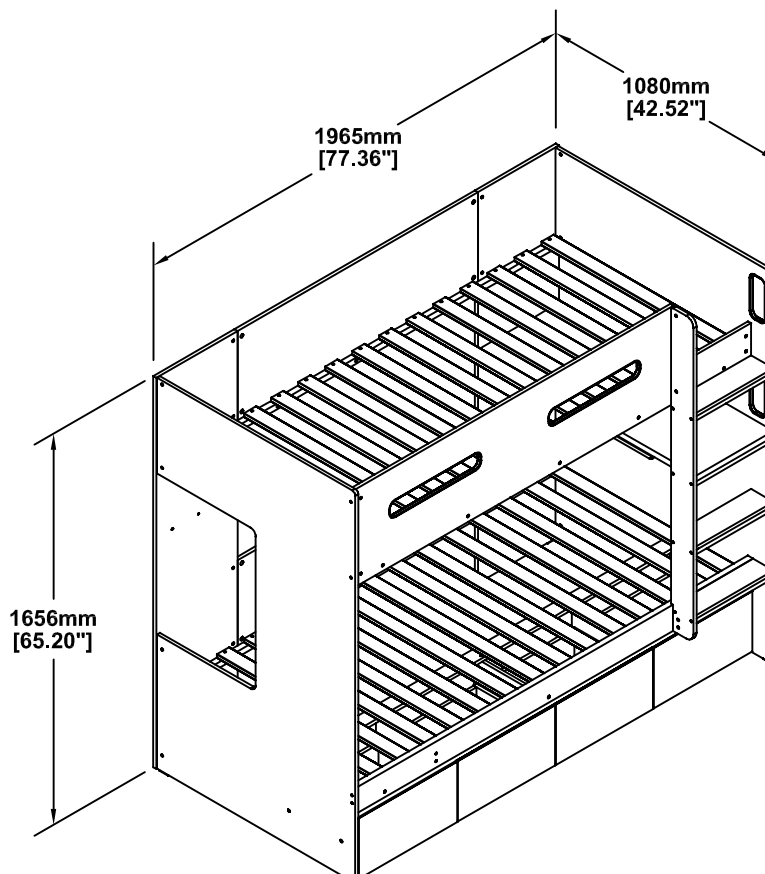
### Option A

**Max Weight Limit 90kg Per Bed**



Page 1 - 28

### Option B



Page 1 - 19  
Page 29 - 37

# Model : Montana

## Product Size : 940 x 1930mm (Base Int Size)

### TOP TIPS BEFORE YOU START !

### IMPORTANT- READ CAREFULLY- RETAIN FOR FUTURE REFERENCE

1. Please check that all parts & hardware are present before you start the assembly of your furniture.
2. For ease and speed of assembly, we recommend that before you commence each step of the assembly, Please identify all the parts required for that step.
3. We recommend that where possible, all items are assembled near to the area in which they will be placed in use, to avoid moving the product unnecessarily once assembled.
4. For the protection of your furniture, particularly items of high gloss finish, we recommend that the product is placed on a Protected surface during assembly to prevent any damage.
5. During assembly please take care not to over-tighten any fittings, as this may damage the product.

### CARE AND MAINTENANCE OF YOUR FURNITURE

- Please periodically check all fittings and re-tighten as necessary.
- To clean your item, please use a damp cloth and wipe clean.
- Never allow any kind of liquid to remain on your furniture. Absorption can cause wood to warp or finishes to de-laminate.
- Please do not place hot items (e.g hot drinks) directly on the wood surface.
- Please do not drag or pull your furniture.

### IMPORTANT INFORMATION

1. Thickness of mattress should not exceed 180mm.
2. Children should be discouraged from playing on top of this bunk bed.
3. The bunk bed should be checked periodically by the owner to ensure that the guardrail, ladder, and other components are maintained in the correct position and state of repair and that all connectors are tight.
4. A bunk bed is not to be placed near a ceiling fan unless the distance between the closest points on the ceiling fan bunk. Bed is at least 2 metres.
5. Use guardrails on both sides of upper bunk.
6. Prohibit horseplay on or under bed(s).
7. Prohibit more than one person on upper bunk.
8. Use Ladder for entering and leaving upper bunk.
9. If the bunk bed will be placed next to the wall, the guardrail that runs the full length of the bed should be placed against The wall to prevent entrapment between the bed and the wall.
10. **WARNING** Do not use the bunk bed/high bed if any structural part is broken or missing.
11. Ventilation of the room is necessary in order to keep the humidity low and to prevent mould in and around the bed.
12. **WARNING** "high beds & the upper bed of bunk beds are not suitable for children under six years due to risk of injury from falls";
13. **WARNING** "children can become trapped between the bed & the wall, a roof pitch, the ceiling, adjoining pieces of furniture (e.g.cupboard) and the like. To avoid risk of serious injury the distance between the top safety barrier and the adjoining structure shall not exceed 75mm nor shall be more than 230mm",
14. Always follow the manufacturer's instructions.
15. A statement that ventilation of the room is necessary in order to keep the humidity low and to prevent mould in and around the bed.
16. All bunk beds and high beds intended to be assembled by other than the manufacturer or his/her representative shall include assembly instructions including a list of the parts supplied and details of any tools required to assemble the bed.

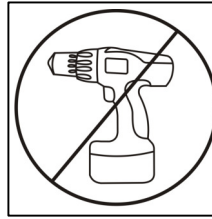
### STRANGULATION HAZARD:

17. Never attach or hang items to any part of the bunk bed that are not designed for use with the bed for example, but not limited to hook, belt and jump ropes.

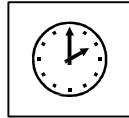
Model : Montana

Product Size : 940 x 1930mm (Base Int Size)

**Tools Required For Assembly**



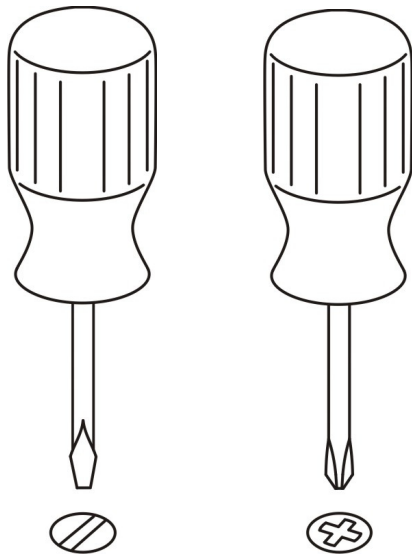
DO NOT USE POWER TOOLS TO ASSEMBLE THIS PRODUCT. USE OF POWER TOOLS WILL INVALIDATE ANY CLAIM AND MAY DAMAGE THIS PRODUCT MAKING IT UNSAFE.



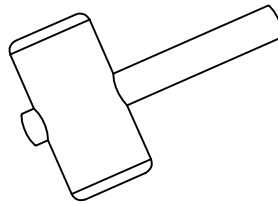
Approximately 3 hour



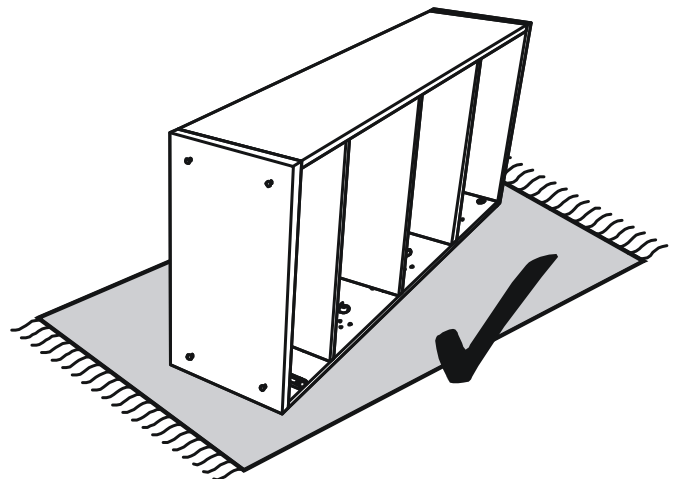
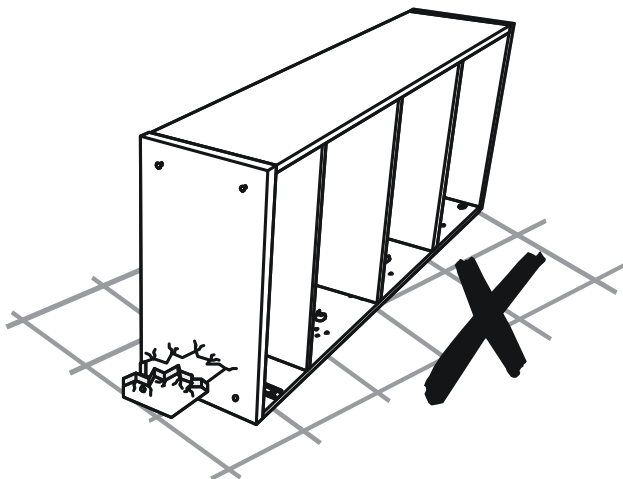
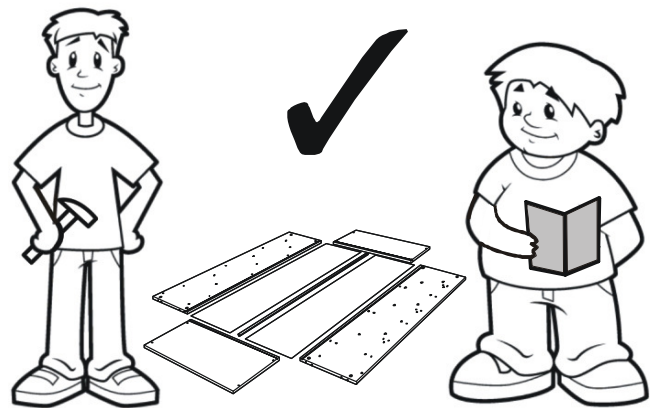
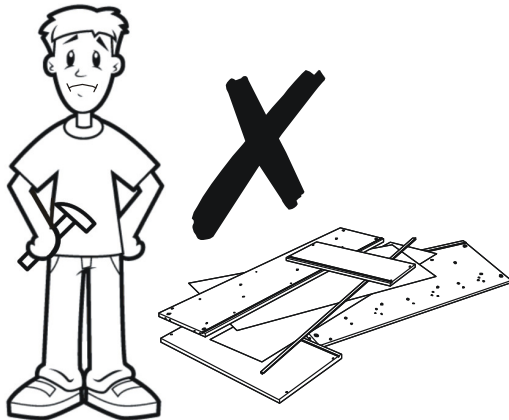
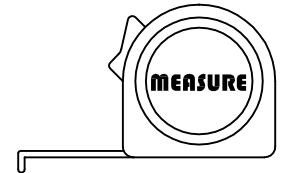
2 People Required



Rubber Hammer



Tape Measure



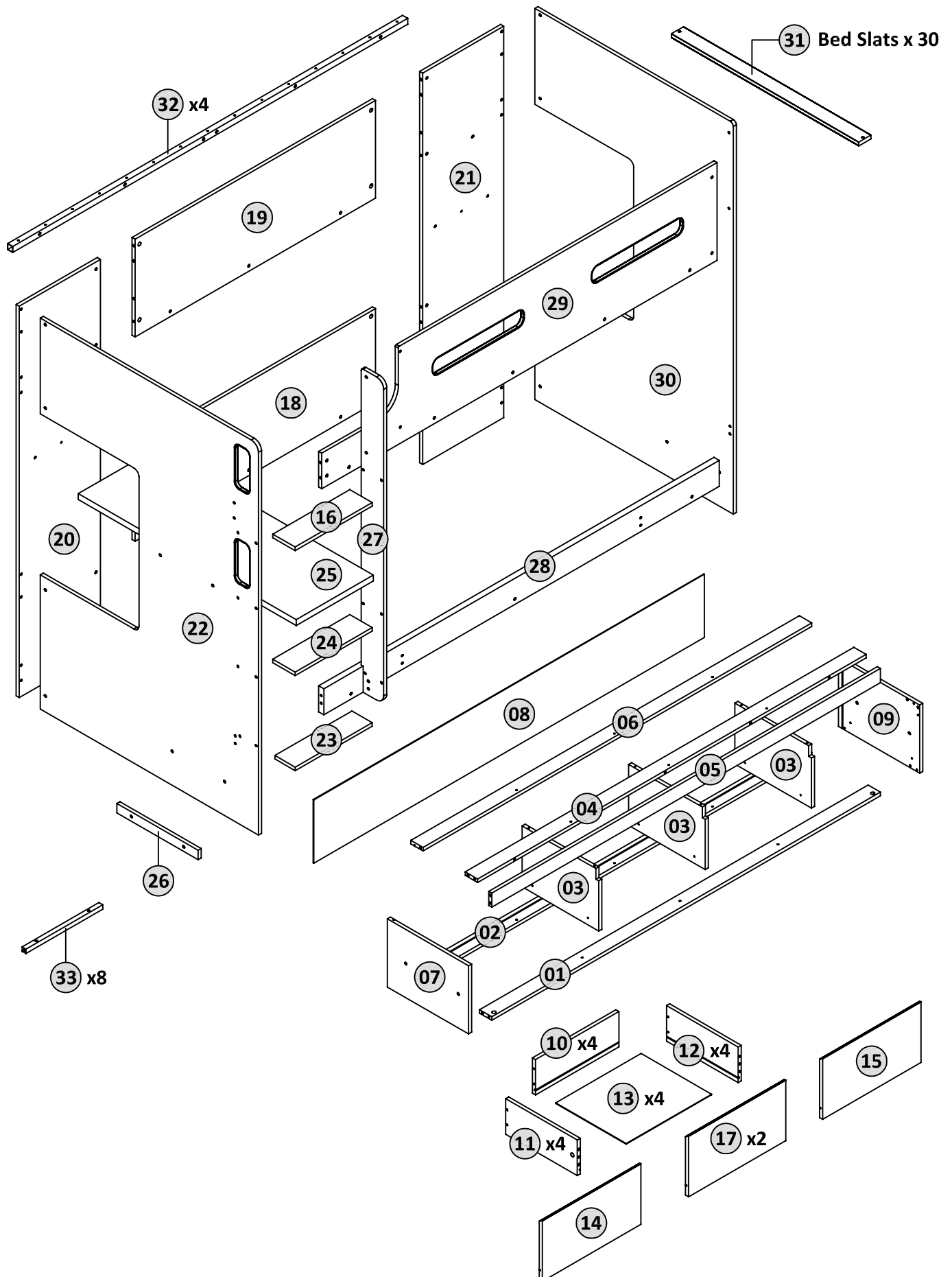
# Part List

## Model : Montana [940 x 1930mm (Base Int Size)]

Carton 1 of 4			Carton 3 of 4		
No.	Part Name	Pcs	No.	Part Name	Pcs
03	Center Panel (Cabinet)	3	22	Left End Panel	1
10	Back Panel (Drawer)	4	30	Right End Panel	1
11	Left Panel (Drawer)	4	Carton 4 of 4		
12	Right Panel (Drawer)	4			
13	Bottom Panel (Drawer)	4	31	Bed Slats	32
14	Front Panel (Drawer) Left	1	<b>Assembly Instructions + Fitting List</b>		
15	Front Panel (Drawer) Right	1			
17	Front Panel (Drawer) Center	2			
18	Side Panel (Back)	1			
19	Side Upper Panel (Back)	1			
25	3rd Ladder Step	1			
33	Ladder Support Rail	8			
Carton 2 of 4					
01	Bottom Panel (Cabinet)	1			
02	Bottom Panel (Cabinet)	1			
04	Top Panel (Cabinet)	1			
05	Front Panel (Cabinet)	1			
06	Top Panel (Cabinet)	1			
07	Left Panel (Cabinet)	1			
08	Back Panel (Cabinet)	1			
09	Right Panel (Cabinet)	1			
16	4th Ladder Step	1			
20	Back Panel (Left)	1			
21	Back Panel (Right)	1			
23	1st Ladder Step	1			
24	2nd Ladder Step	1			
26	Support Panel	1			
27	Ladder Right Panel	1			
28	Side Front Panel (Below)	1			
29	Side Panel (Front)	1			
32	Metal Side Rail	4			





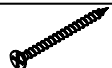



















# Part List

Model : Montana [940 x 1930mm (Base Int Size)]



# Fitting List

## Model : Montana [940 x 1930mm (Base Int Size)]

No.	Part Name		Qty
A	Cam		29
B	Cam Stud		21
C	Constractfix Dowel		8
D	M8 x 25mm Dowel		42
E	45mm Chipboard Screw		13
F	38mm Chipboard Screw		16
G	22mm Chipboard Screw		16
H	14mm Chipboard Screw		37
J	14" Drawer Slide (SJ)		4 set
K	PVC Back Support		16
L	M6 x 13mm Baller		12
M	M6 Round Nut		16
N	M6 x 60mm Allen Bolt		2
P	M6 x 50mm Allen Bolt		18
Q	M6 x 45mm Allen Bolt		3
R	M6 x 40mm Allen Bolt		18
S	M6 x 35mm Allen Bolt		15
T	M6 x 30mm Allen Bolt		76
U	M6 x 25mm Allen Bolt		6
V	M6 x 15mm JCN Nut		20
W	M6 Allen Wrench		2
X	Felt Pads (45 x 14mm)		18
Y	Sticker 25mm		22
Z	Hole Plug 10mm		4

### Caution

There are many small components used in the construction of this unit. These loose items should be kept away from young children whilst assembling your unit. As an extra precaution, screw cover caps should be permanently fixed in position. (Where applicable)

### USEFUL HINTS & TIPS

Two people will be required to assemble this unit

Please keep this assembly instruction for future reference

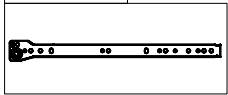
# Guide To Assembly

## Model : Montana [940 x 1930mm (Base Int Size)]

1

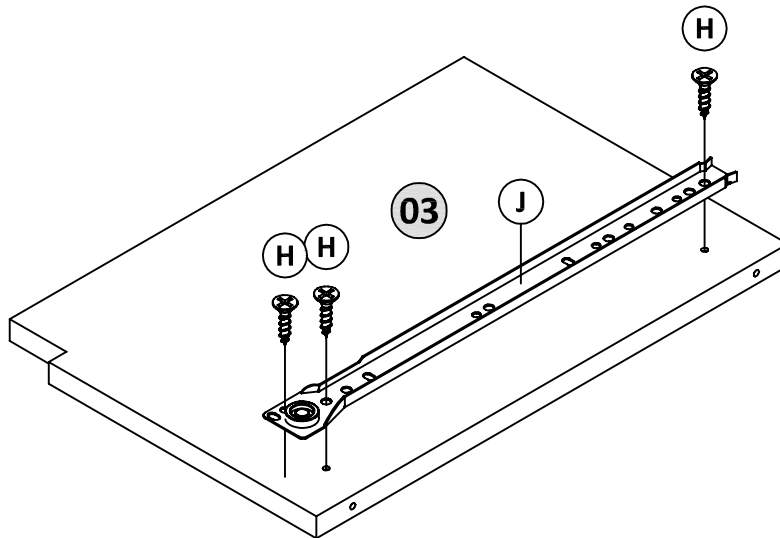
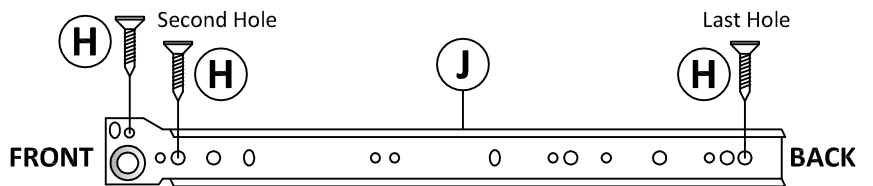


H x 9



J x 3

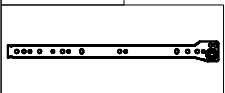
To Assembly the Drawer Slide, Please Follow Step as Below



x 3

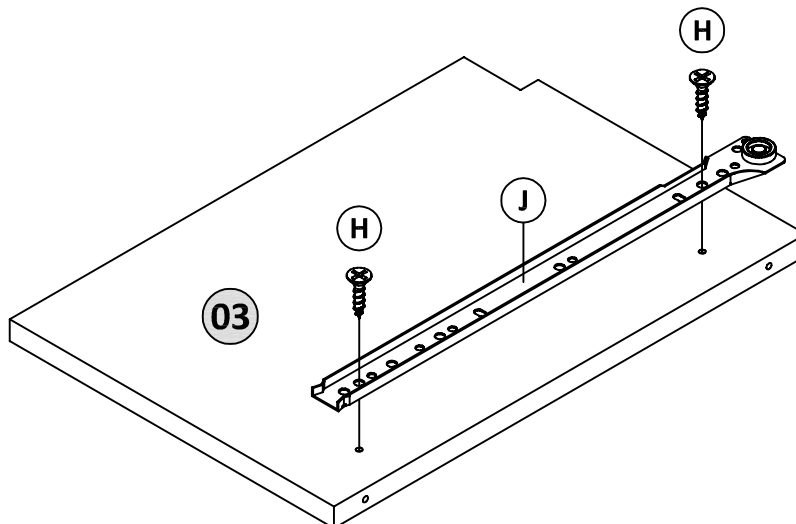
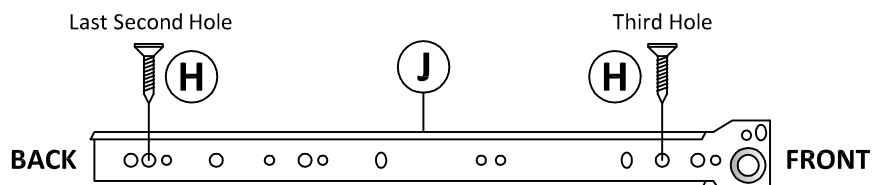


H x 6



J x 3

To Assembly the Drawer Slide, Please Follow Step as Below



x 3

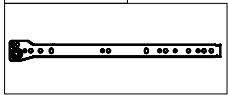
# Guide To Assembly

## Model : Montana [940 x 1930mm (Base Int Size)]

2

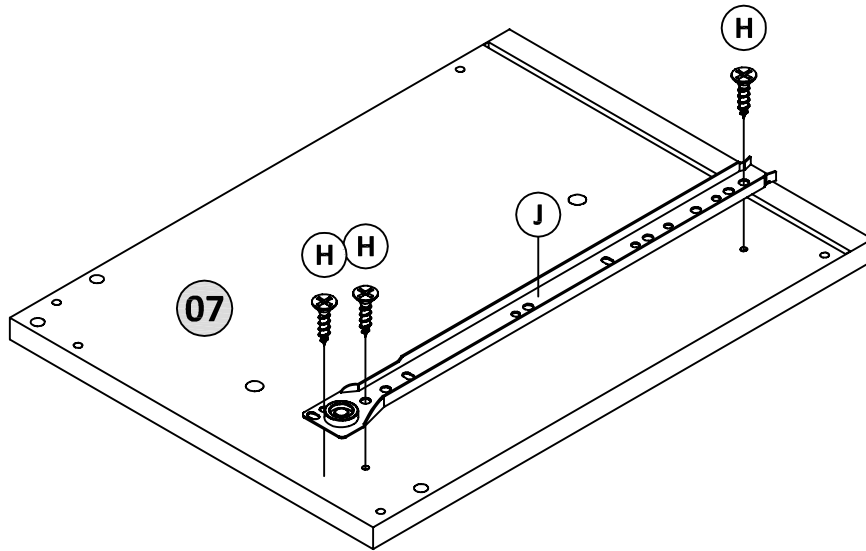
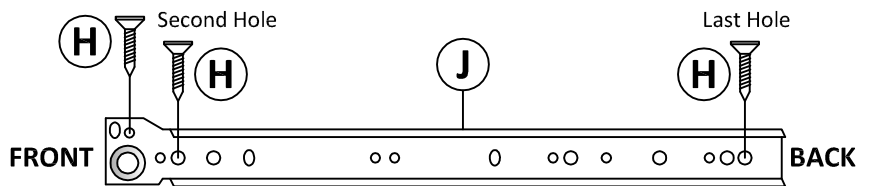


H x 3

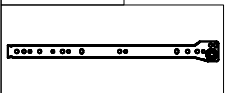


J x 1

To Assembly the Drawer Slide, Please Follow Step as Below

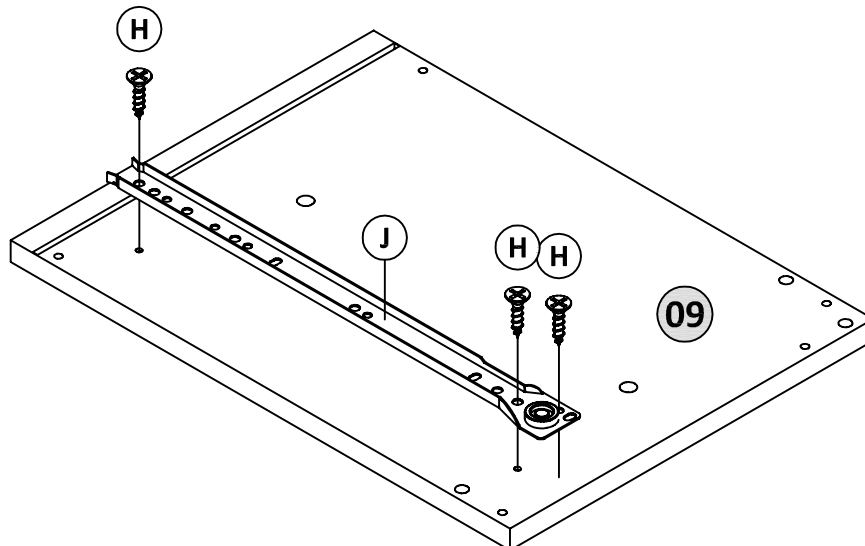
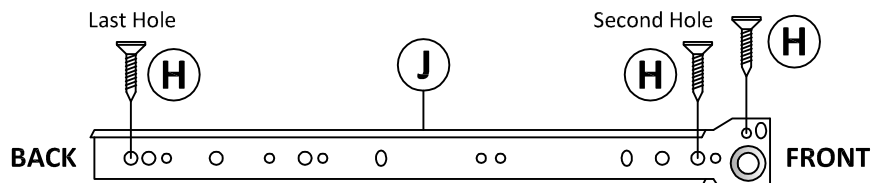


H x 3



J x 1





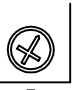


To Assembly the Drawer Slide, Please Follow Step as Below

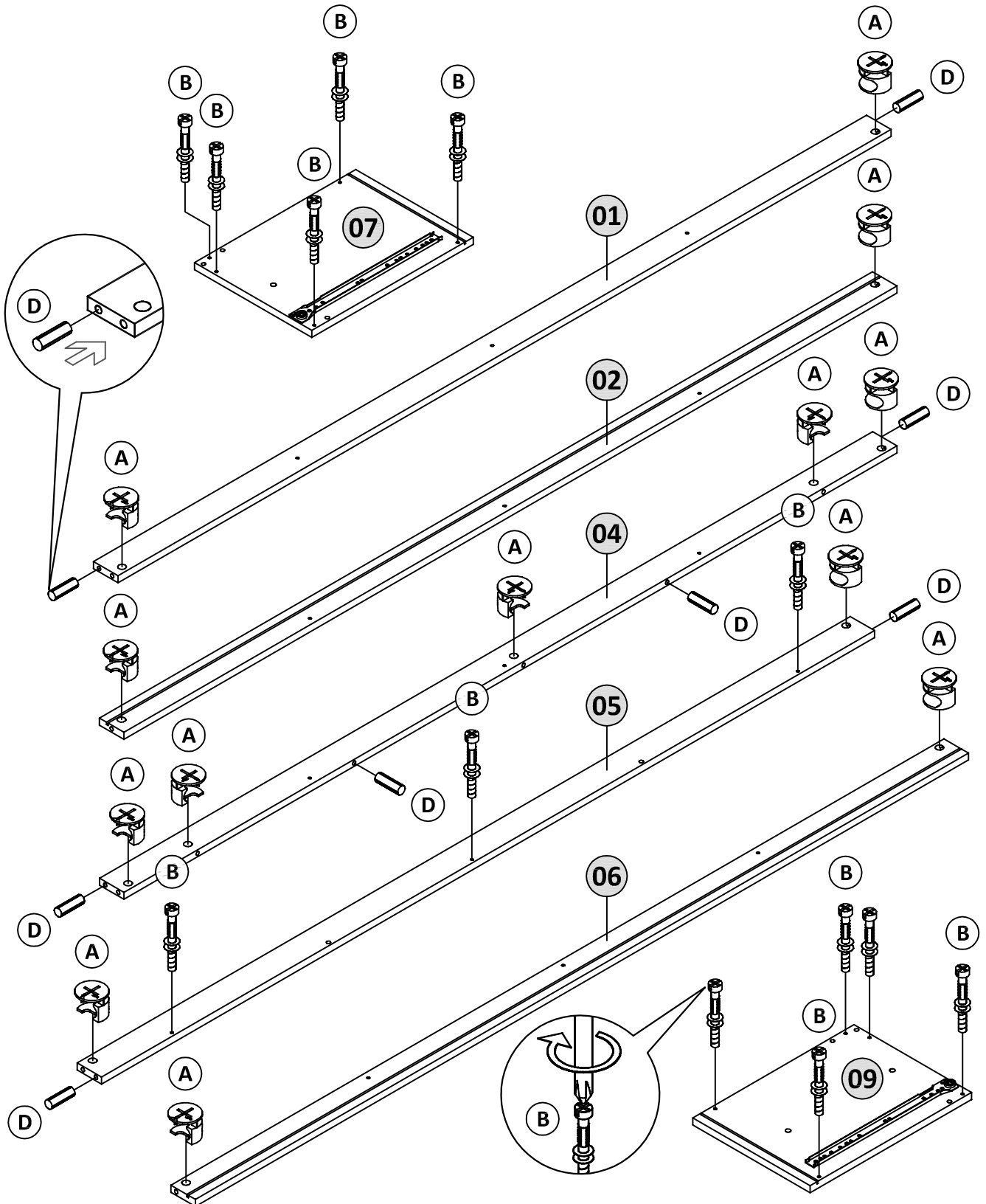




# Guide To Assembly

## Model : Montana [940 x 1930mm (Base Int Size)]

3	 A x 13	<p><b>WHEN FITTING CAM STUD</b> ENSURE THE CAM STUD IS FULLY TIGHTEN IN</p> <p>✓   ✗</p> <p>CORRECT      WRONG</p>	<p><b>WHEN FITTING CAMS</b> ENSURE STARTING POSITION IS CORRECT BEFORE YOU INSERT CONNECTING BOLT TURN CLOCKWISE UNTIL SECURE</p> <p>✓  ✗  ✗</p> <p>CORRECT      WRONG</p>
	 B x 13		
	 D x 8		



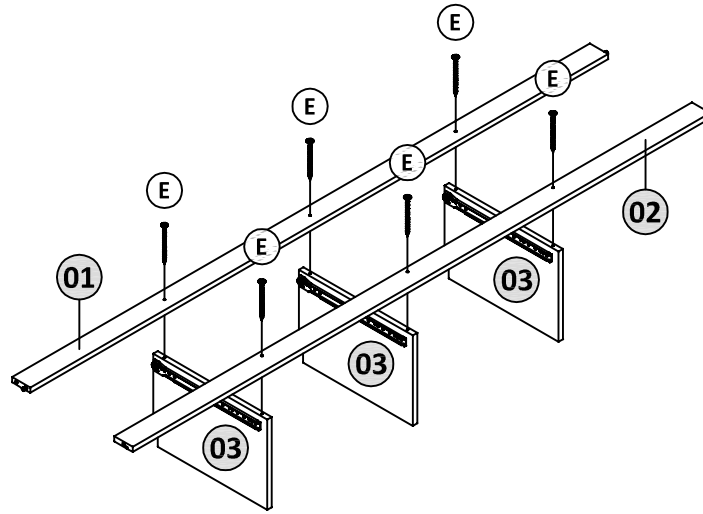
# Guide To Assembly

## Model : Montana [940 x 1930mm (Base Int Size)]

4



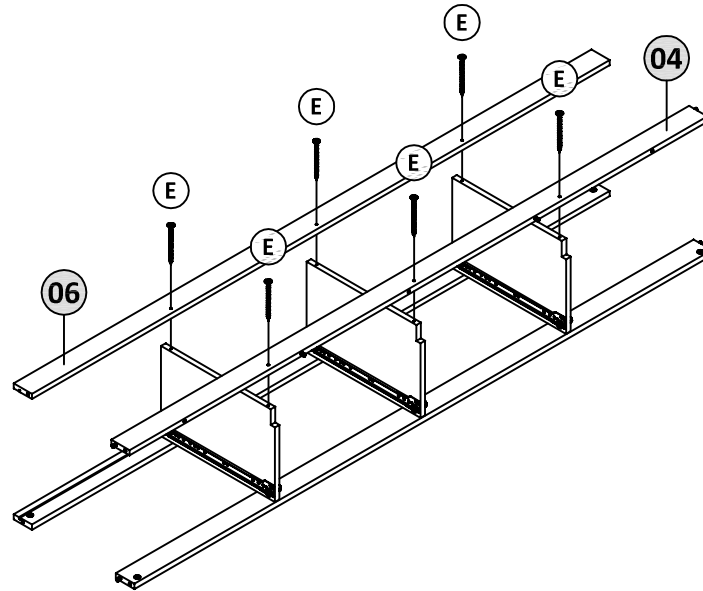
E x 6



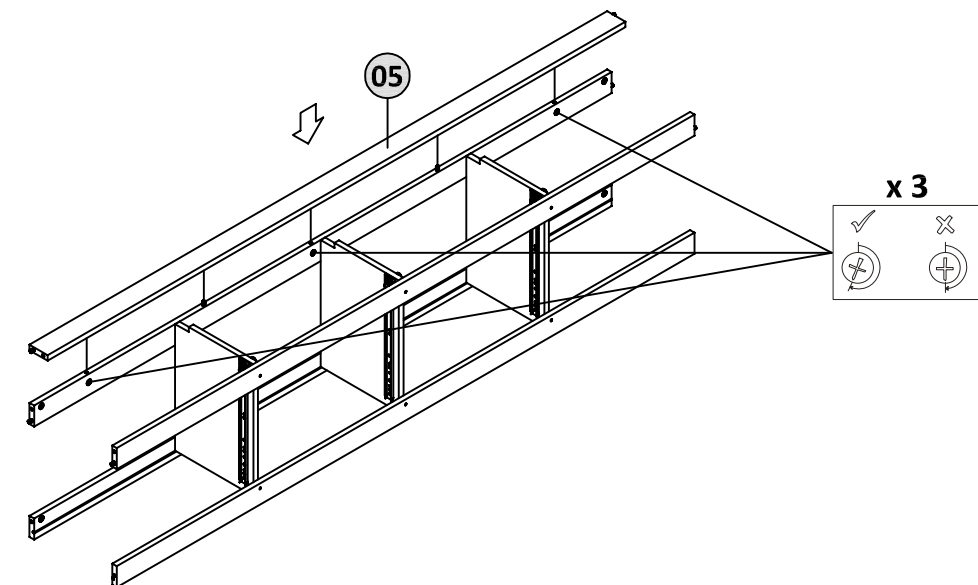
5



E x 6



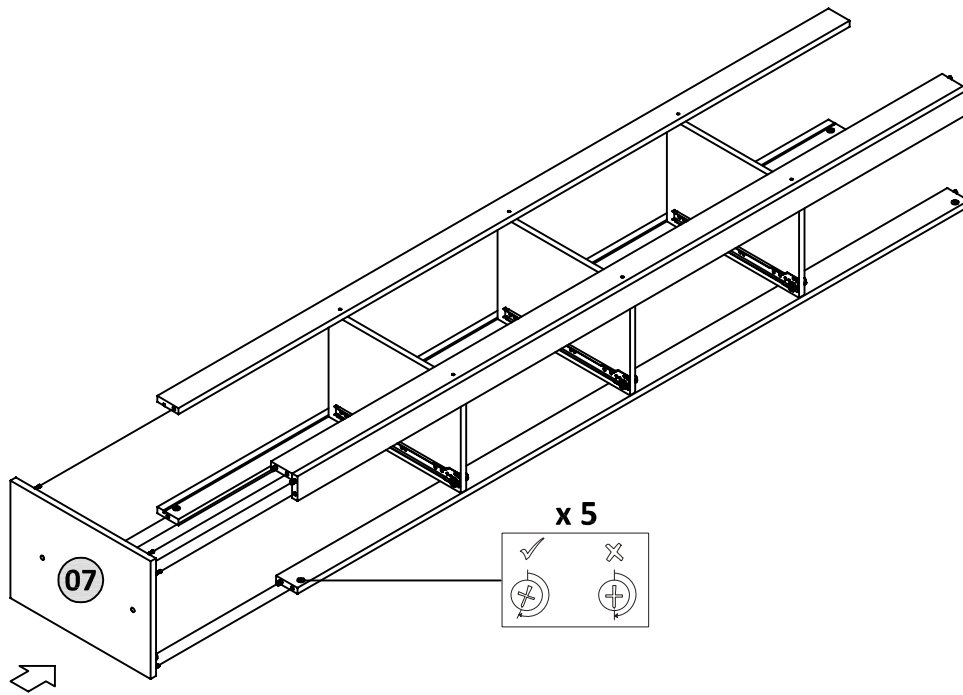
6



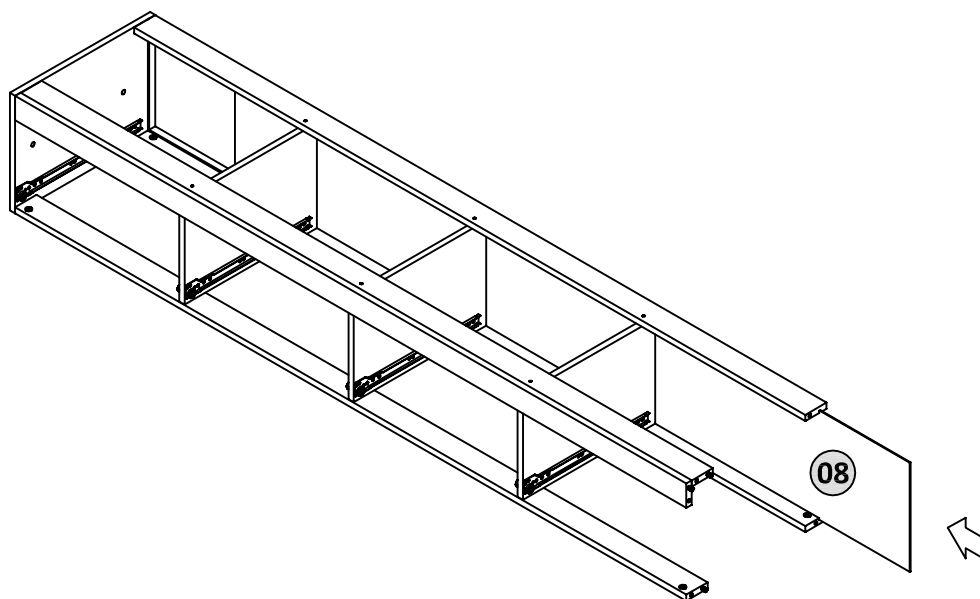
# Guide To Assembly

Model : Montana [940 x 1930mm (Base Int Size)]

7



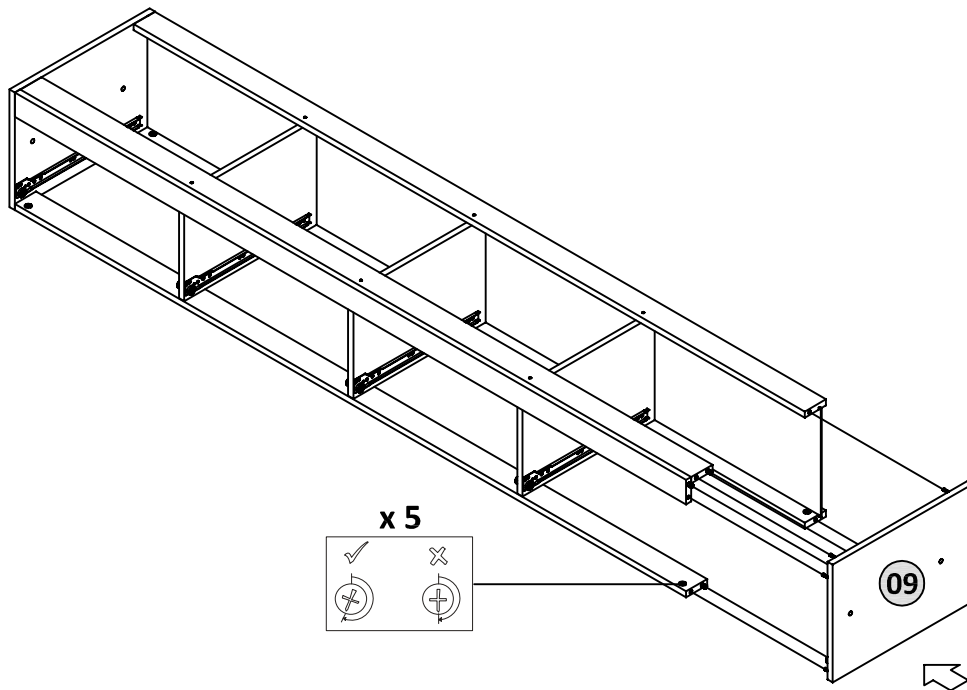
8



# Guide To Assembly

## Model : Montana [940 x 1930mm (Base Int Size)]

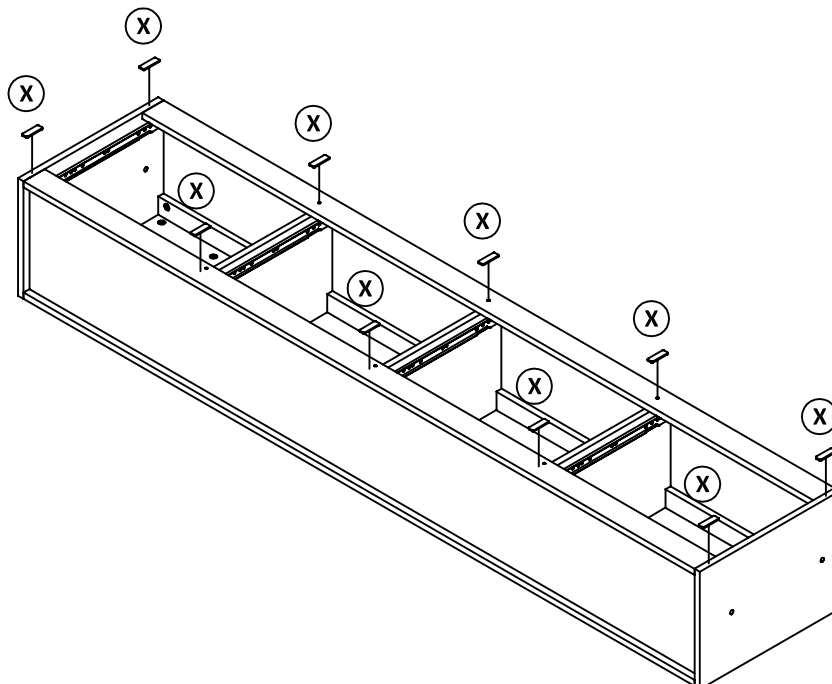
9



10



X x 10



# Guide To Assembly

## Model : Montana [940 x 1930mm (Base Int Size)]

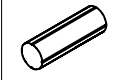
11



A x 8



B x 8



D x 16

### WHEN FITTING CAM STUD

ENSURE THE CAM STUD IS FULLY TIGHTEN IN

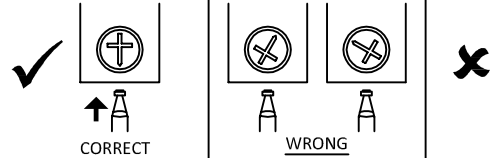


CORRECT

WRONG

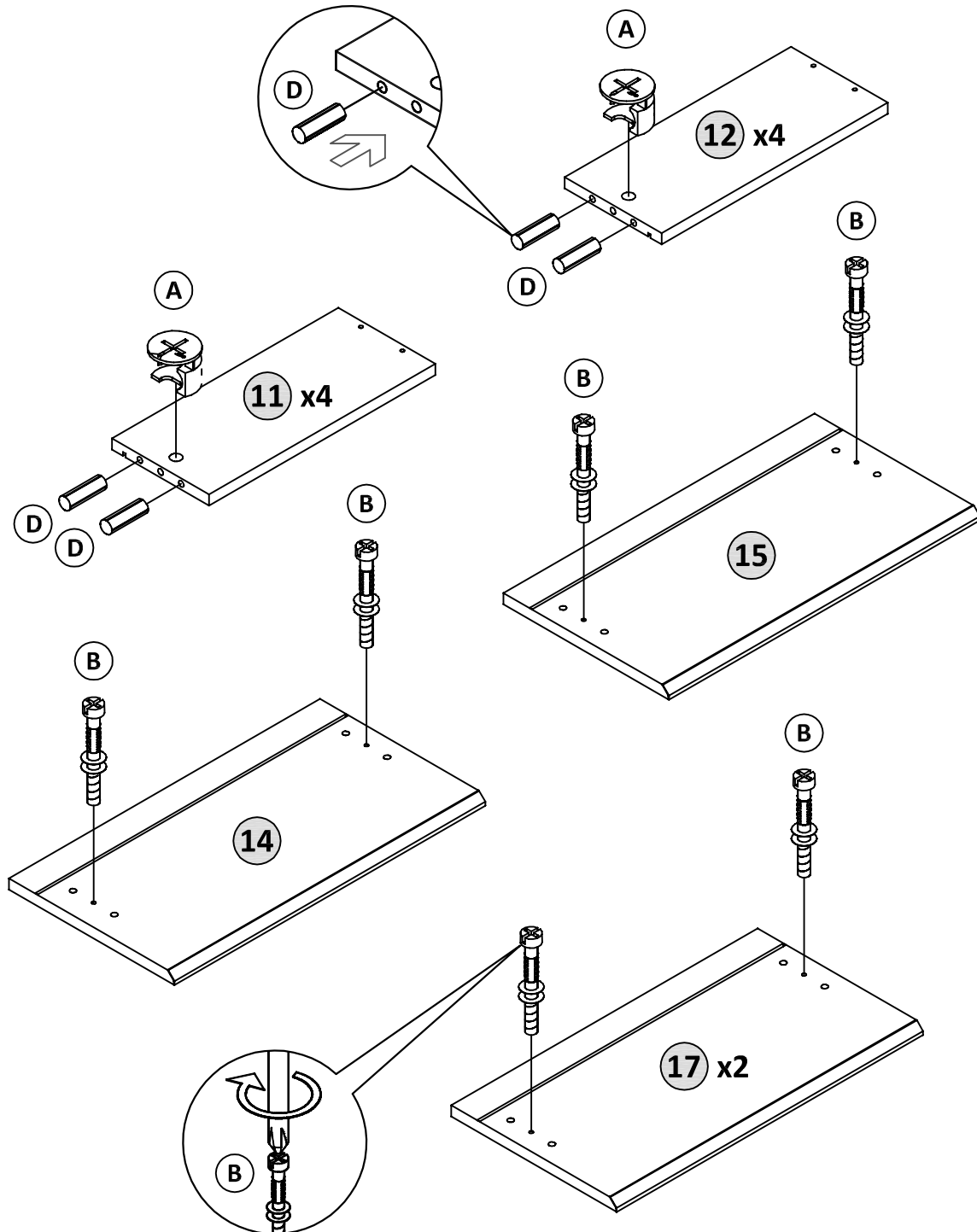
### WHEN FITTING CAMS

ENSURE STARTING POSITION IS CORRECT BEFORE YOU INSERT CONNECTING BOLT TURN CLOCKWISE UNTIL SECURE




CORRECT

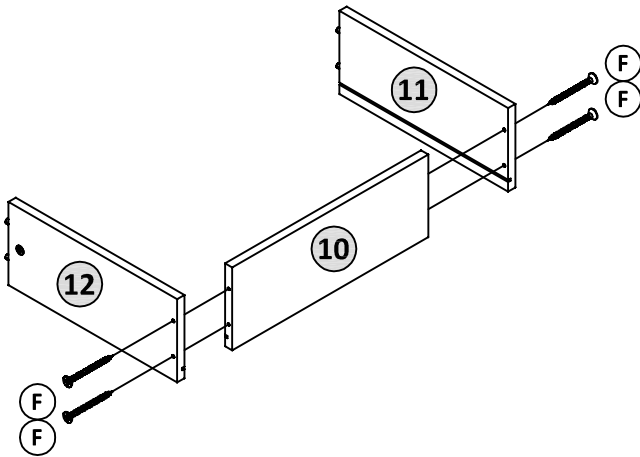
WRONG



# Guide To Assembly

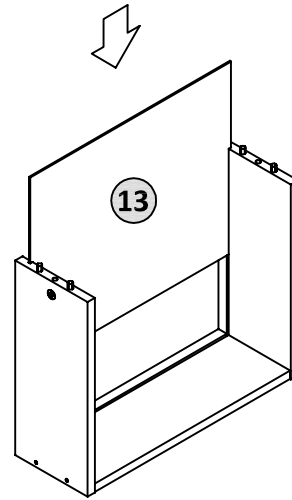
Model : Montana [940 x 1930mm (Base Int Size)]

12  F x 16



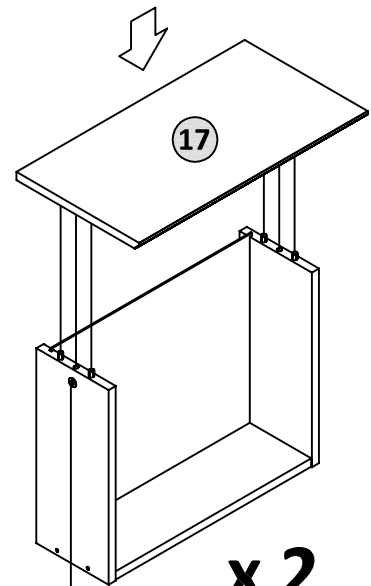
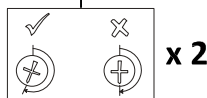
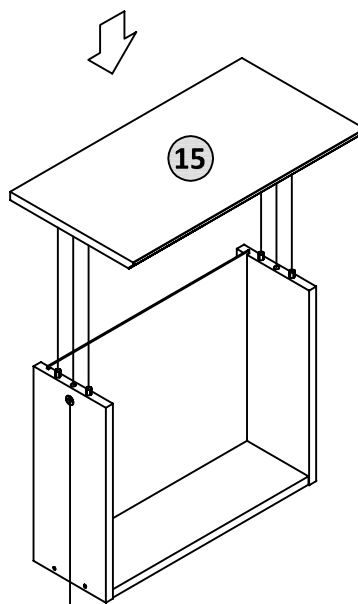
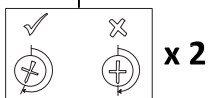
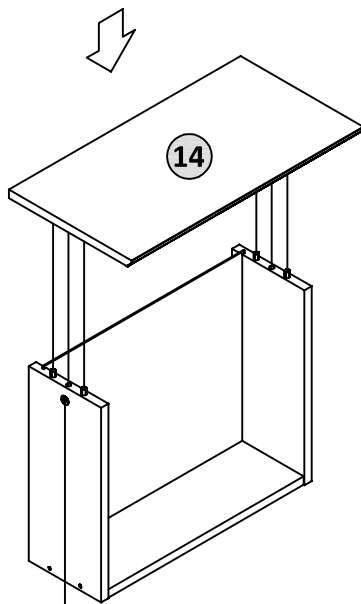
**x 4**

13

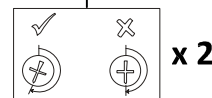


**x 4**

14



**x 2**



# Guide To Assembly

## Model : Montana [940 x 1930mm (Base Int Size)]

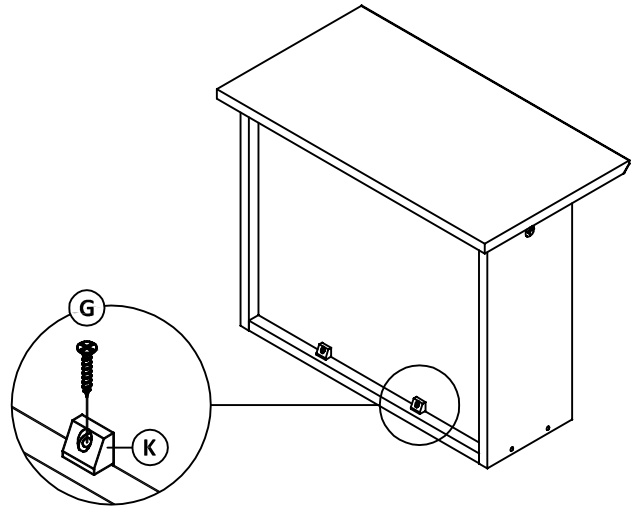
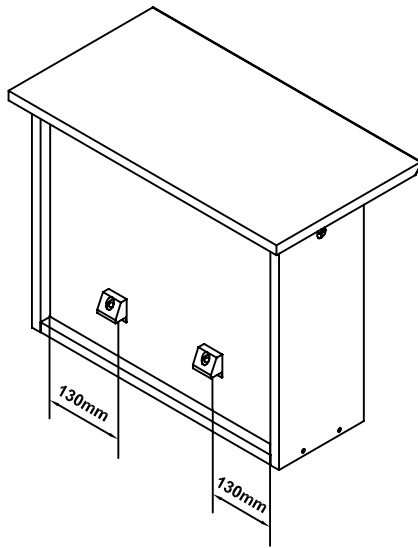
15



G x 8



K x 8



x 4

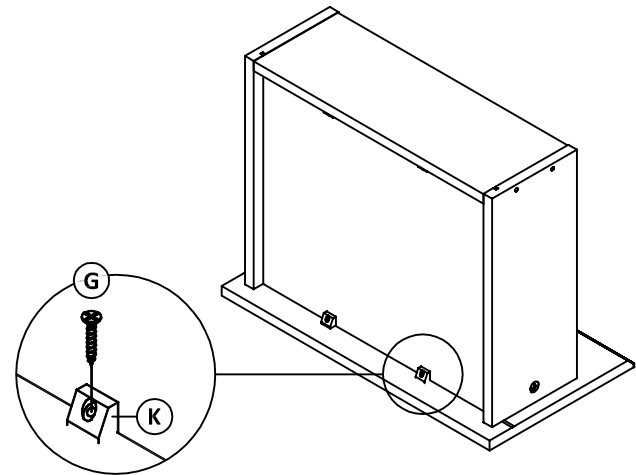
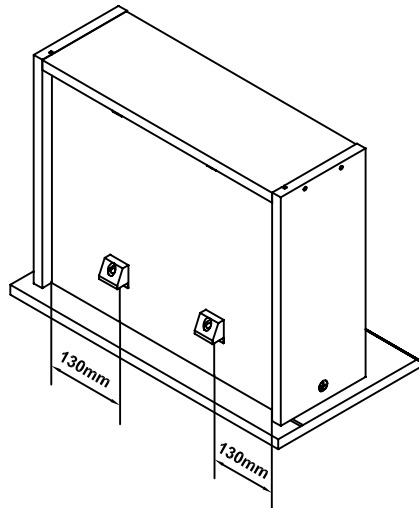
16



G x 8



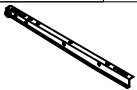
K x 8



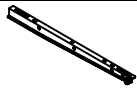
17



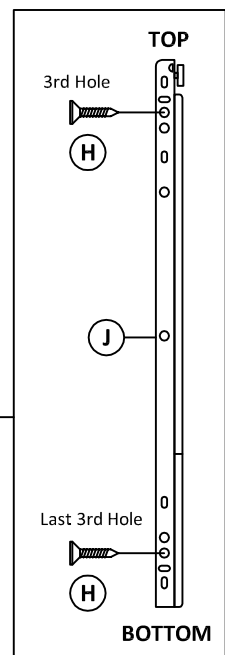
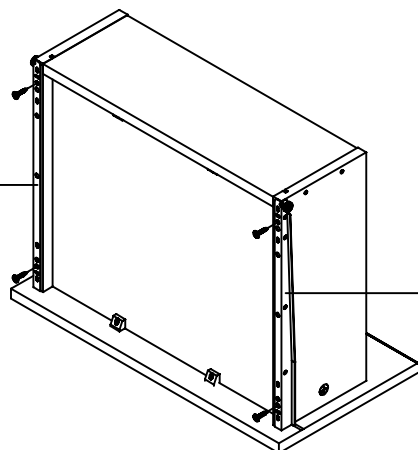
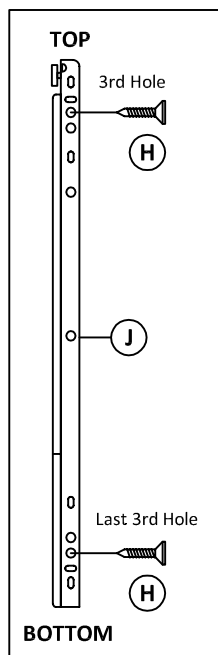
H x 16



J x 4



J x 4







x 4

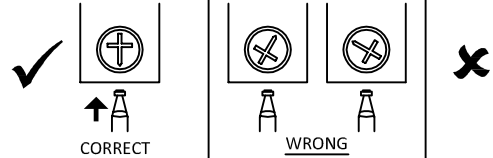
# Guide To Assembly

## Model : Montana [940 x 1930mm (Base Int Size)]

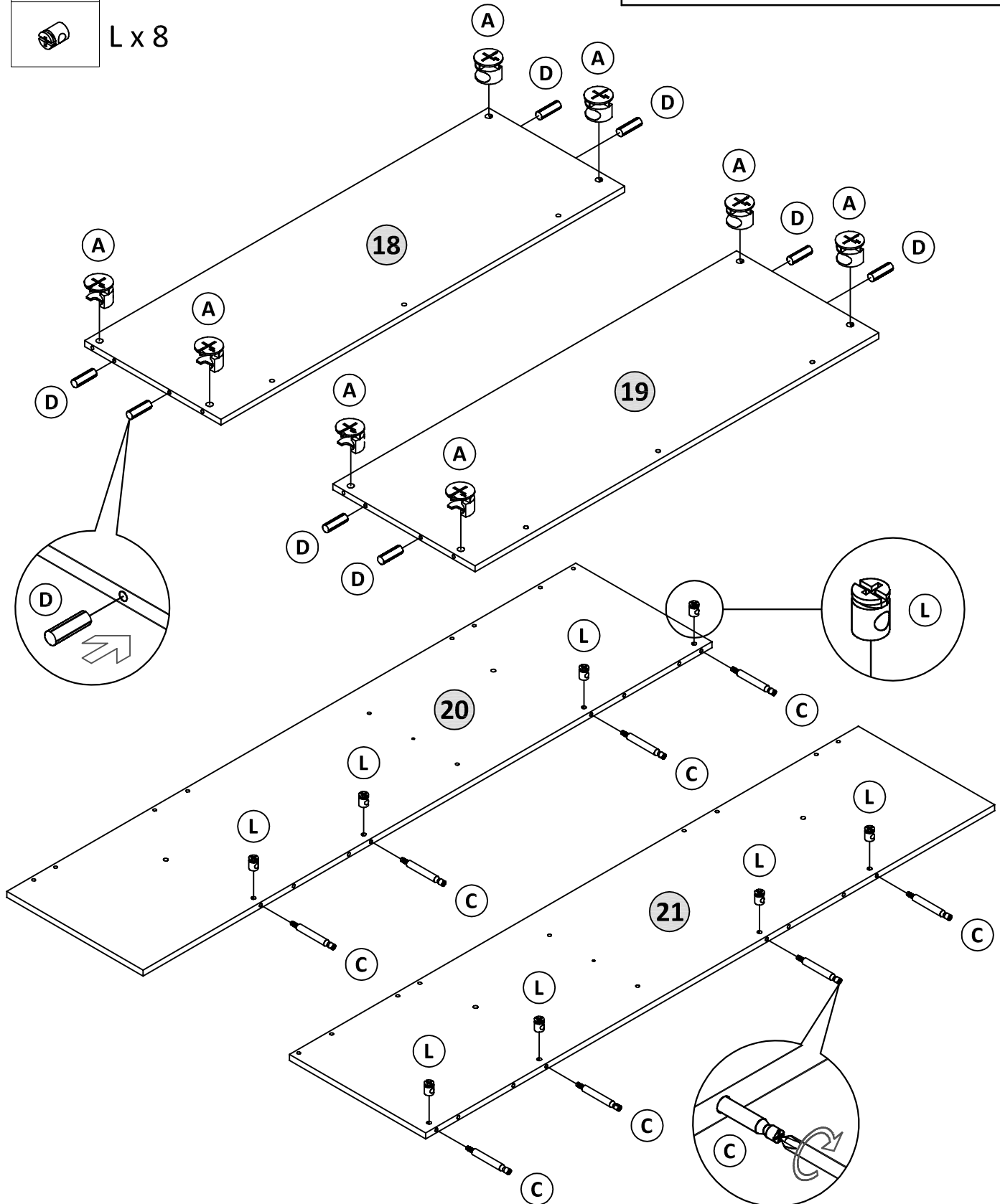
18

-  A x 8
-  C x 8
-  D x 8
-  L x 8

**WHEN FITTING CAMS**  
ENSURE STARTING POSITION IS CORRECT  
BEFORE YOU INSERT CONNECTING BOLT  
TURN CLOCKWISE UNTIL SECURE



**CORRECT**      **WRONG**

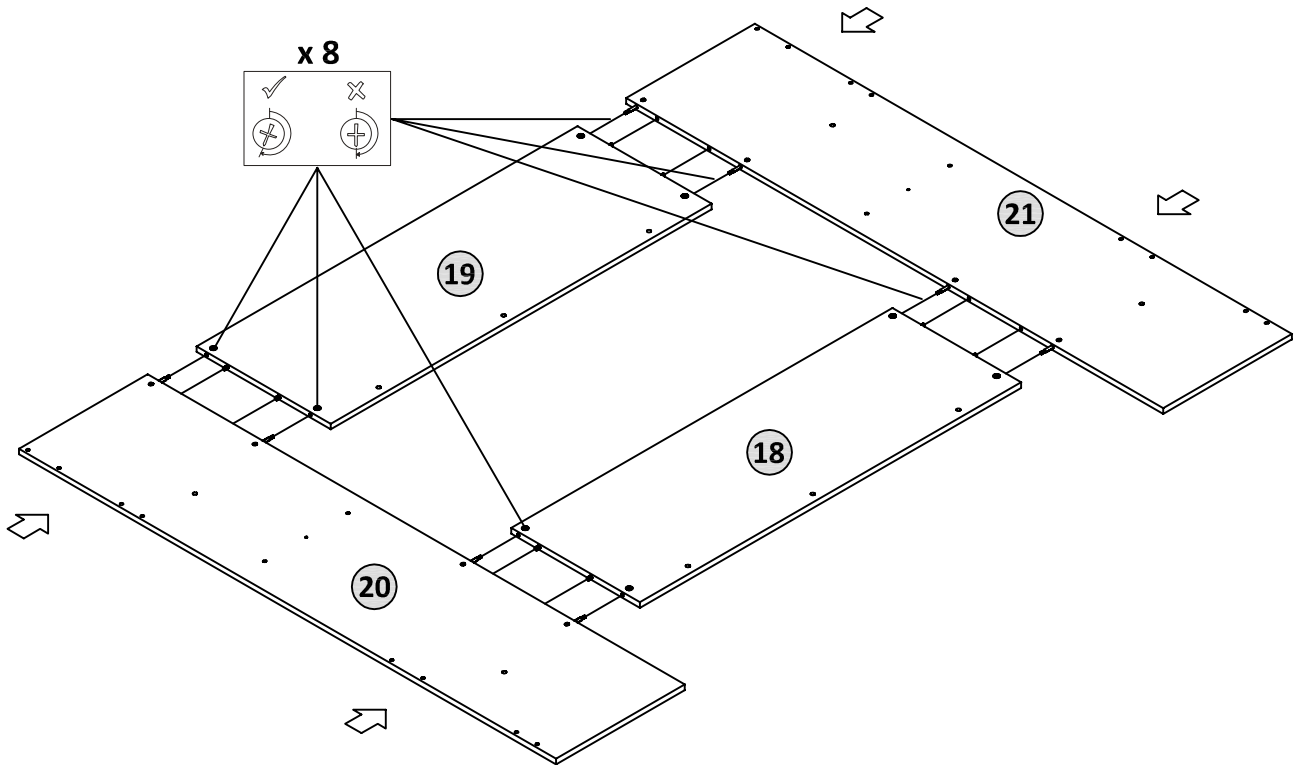







# Guide To Assembly

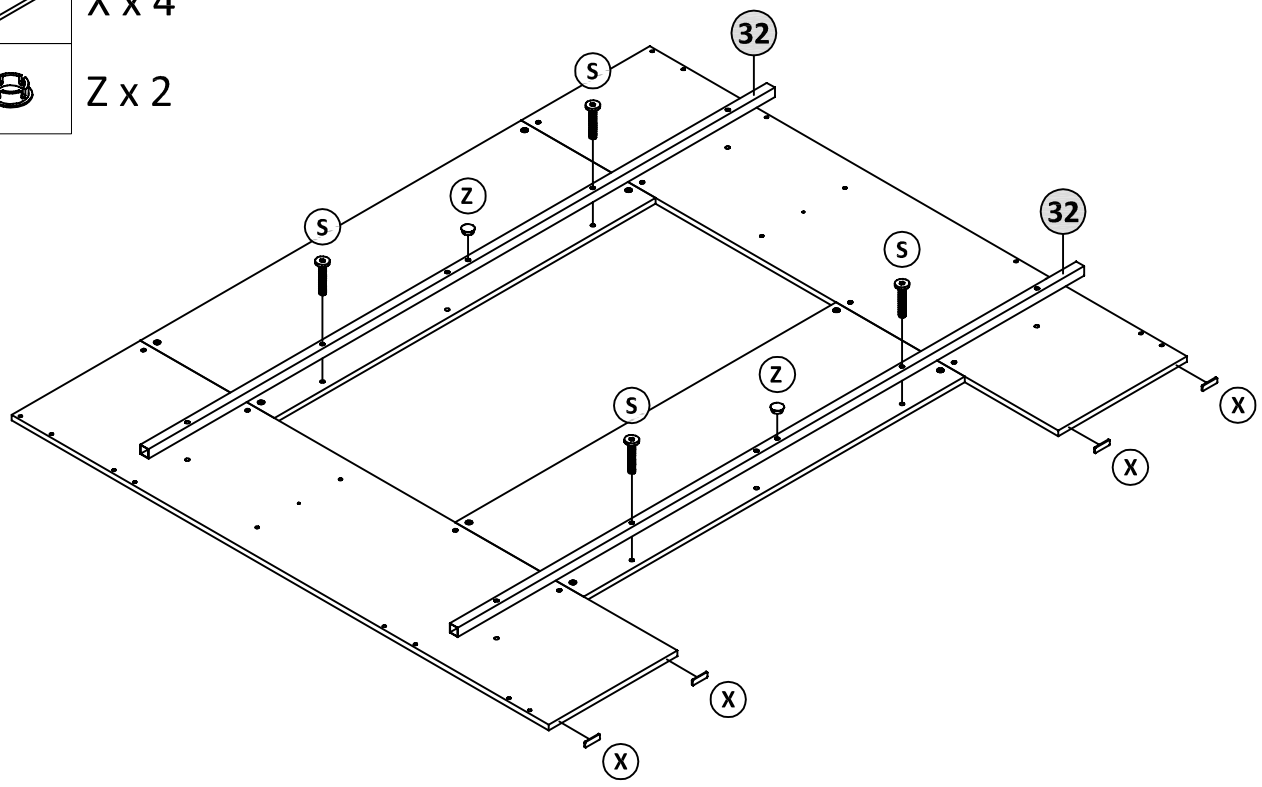
## Model : Montana [940 x 1930mm (Base Int Size)]

19



20

-  S x 4
-  X x 4
-  Z x 2



# Guide To Assembly

Model : Montana [940 x 1930mm (Base Int Size)]

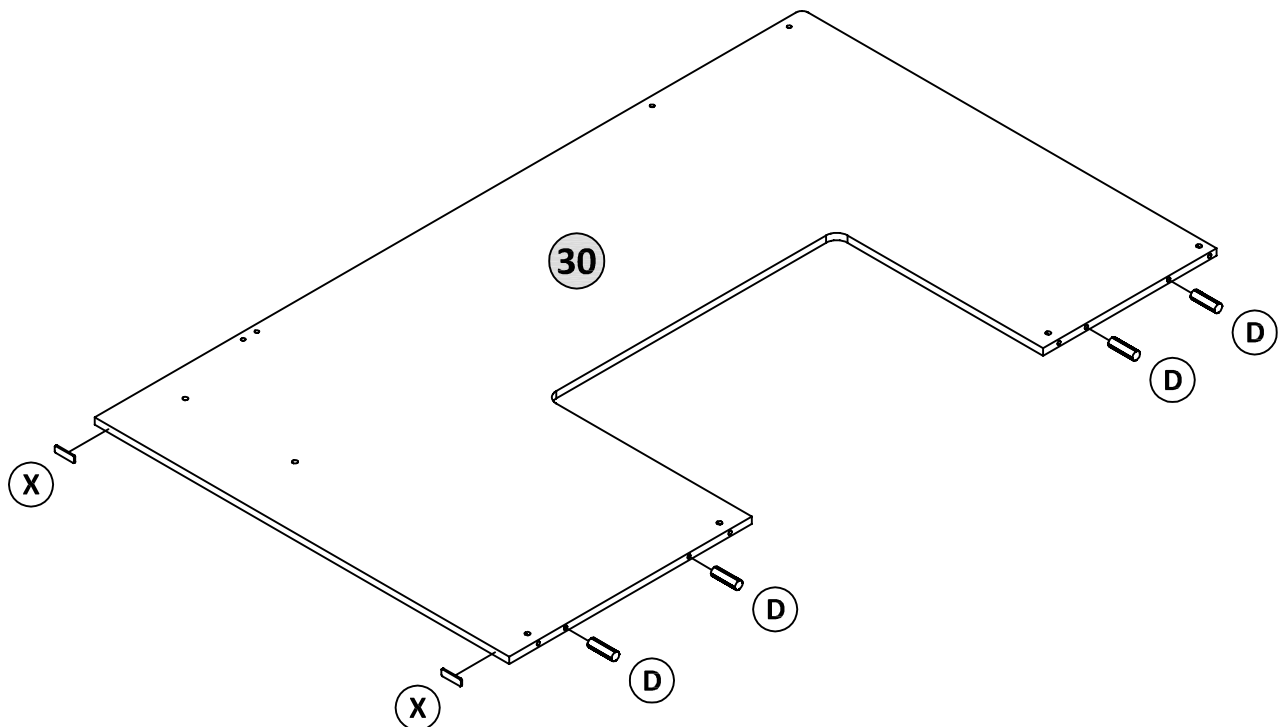
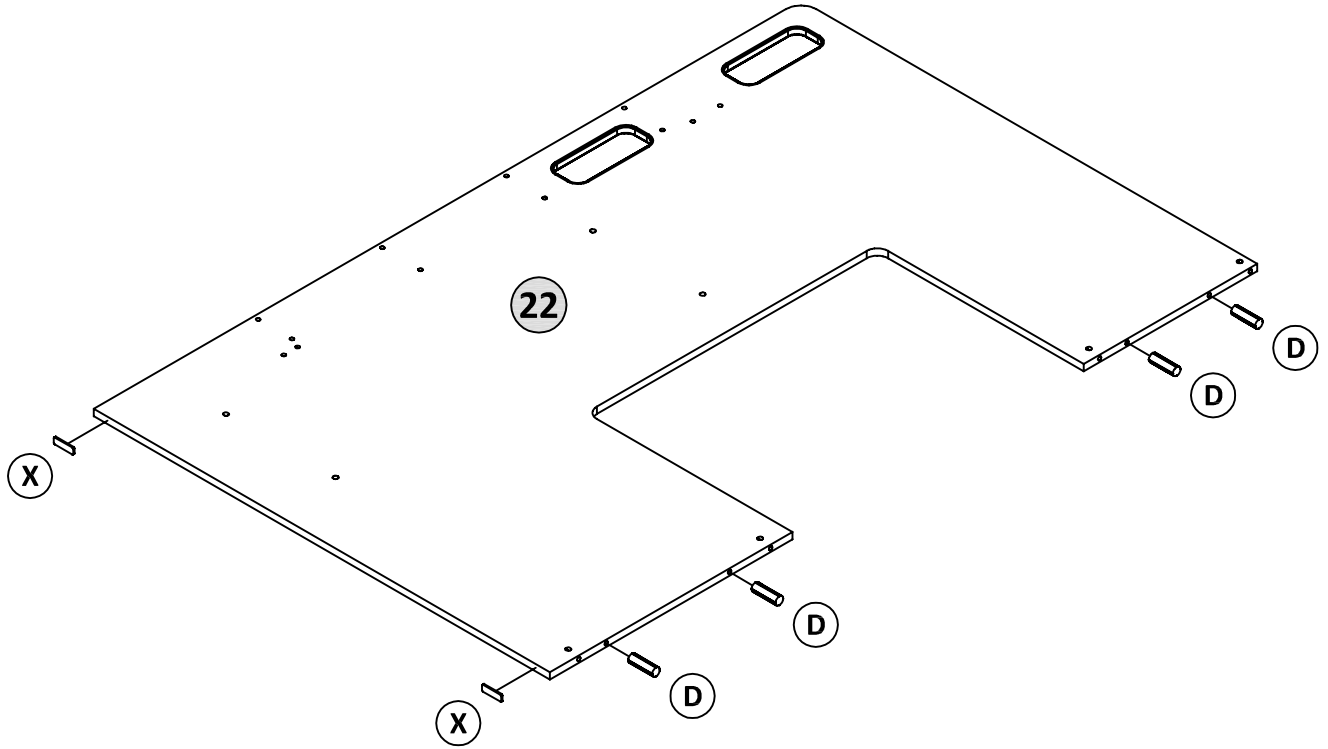
21



D x 8



X x 4



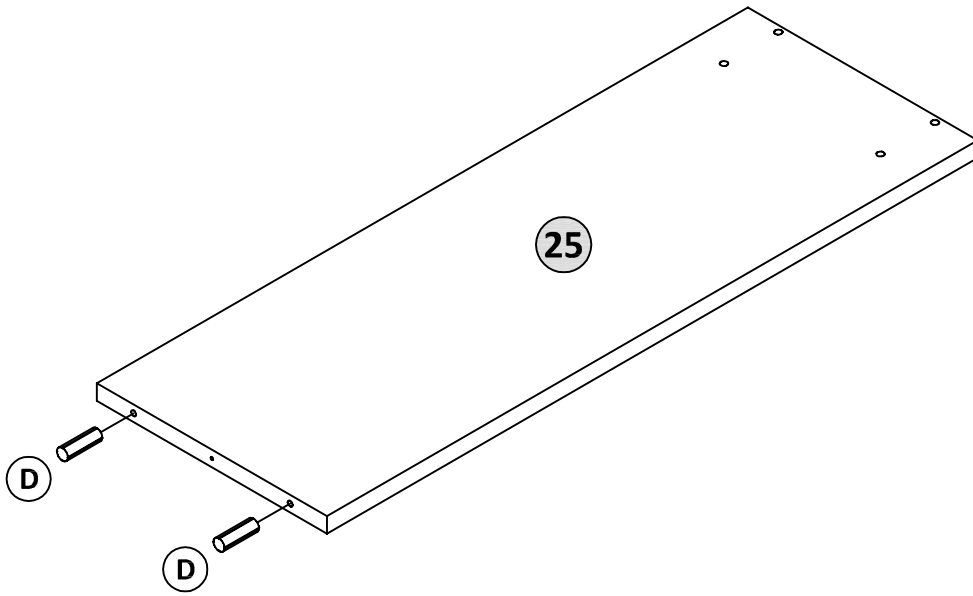
# Guide To Assembly

## Model : Montana [940 x 1930mm (Base Int Size)]

22



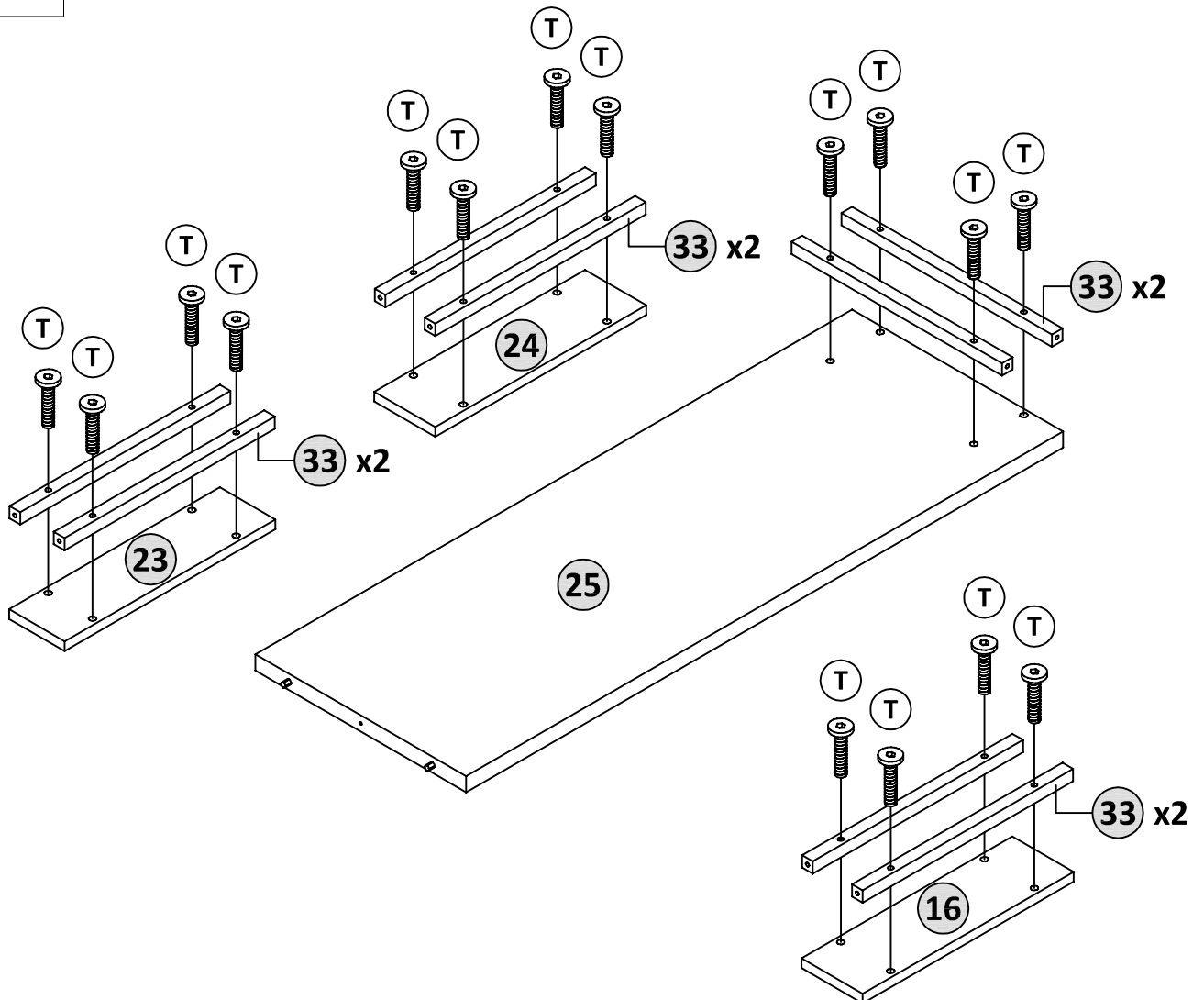
D x 2



23



T x 16

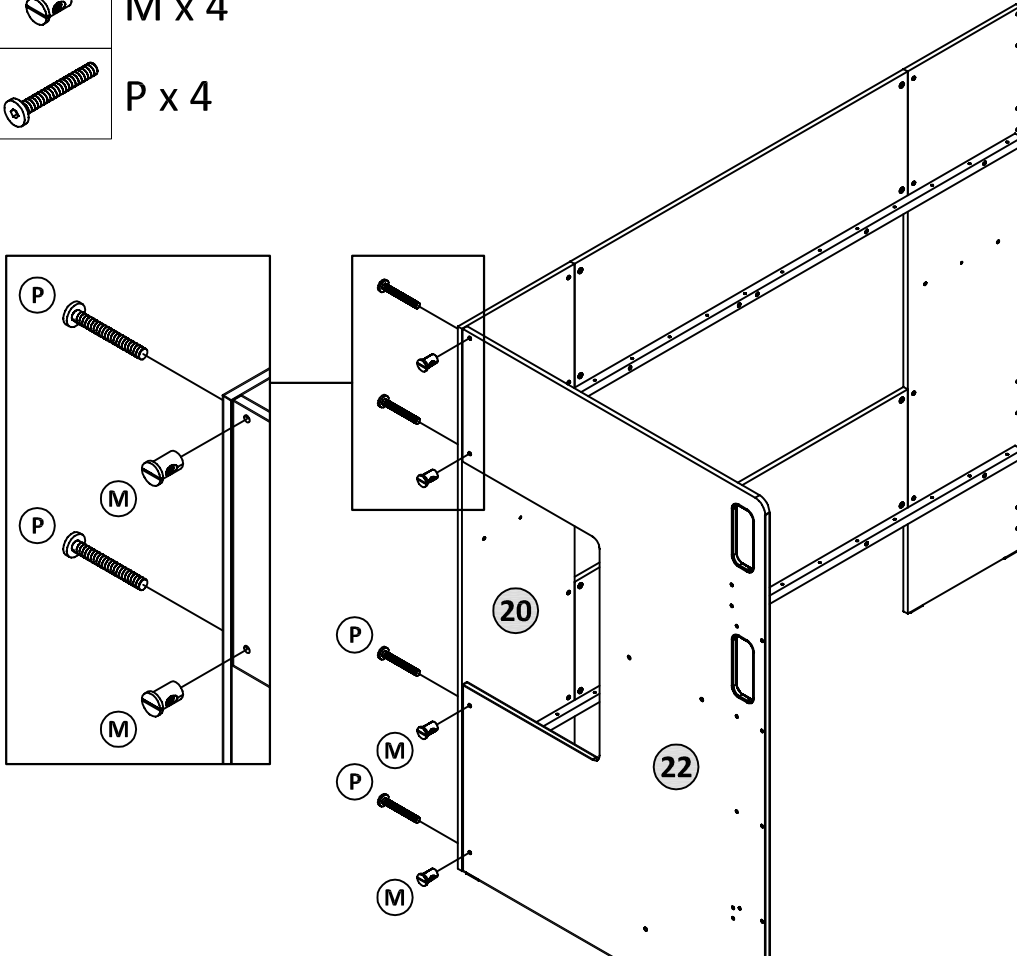
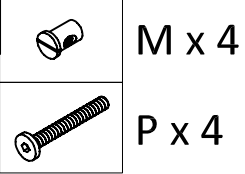


# Guide To Assembly

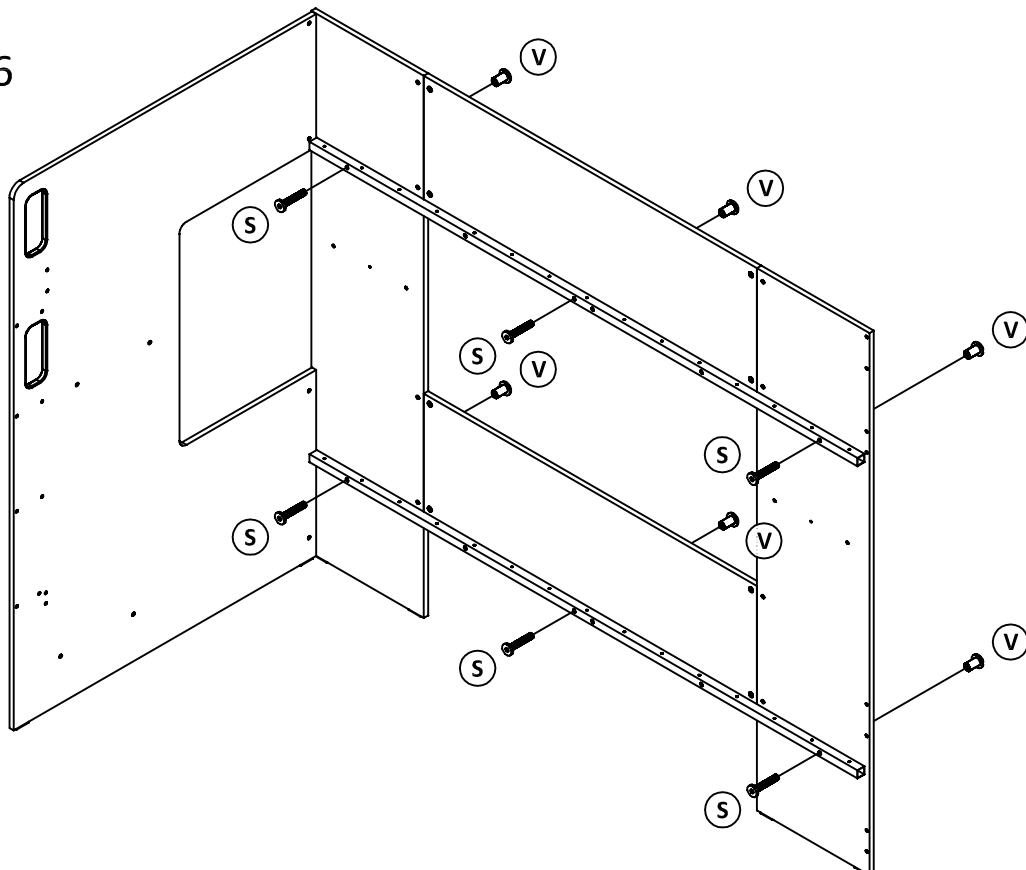
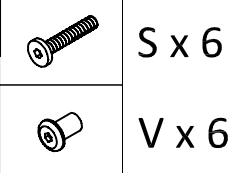
## Model : Montana [940 x 1930mm (Base Int Size)]

Option A

24

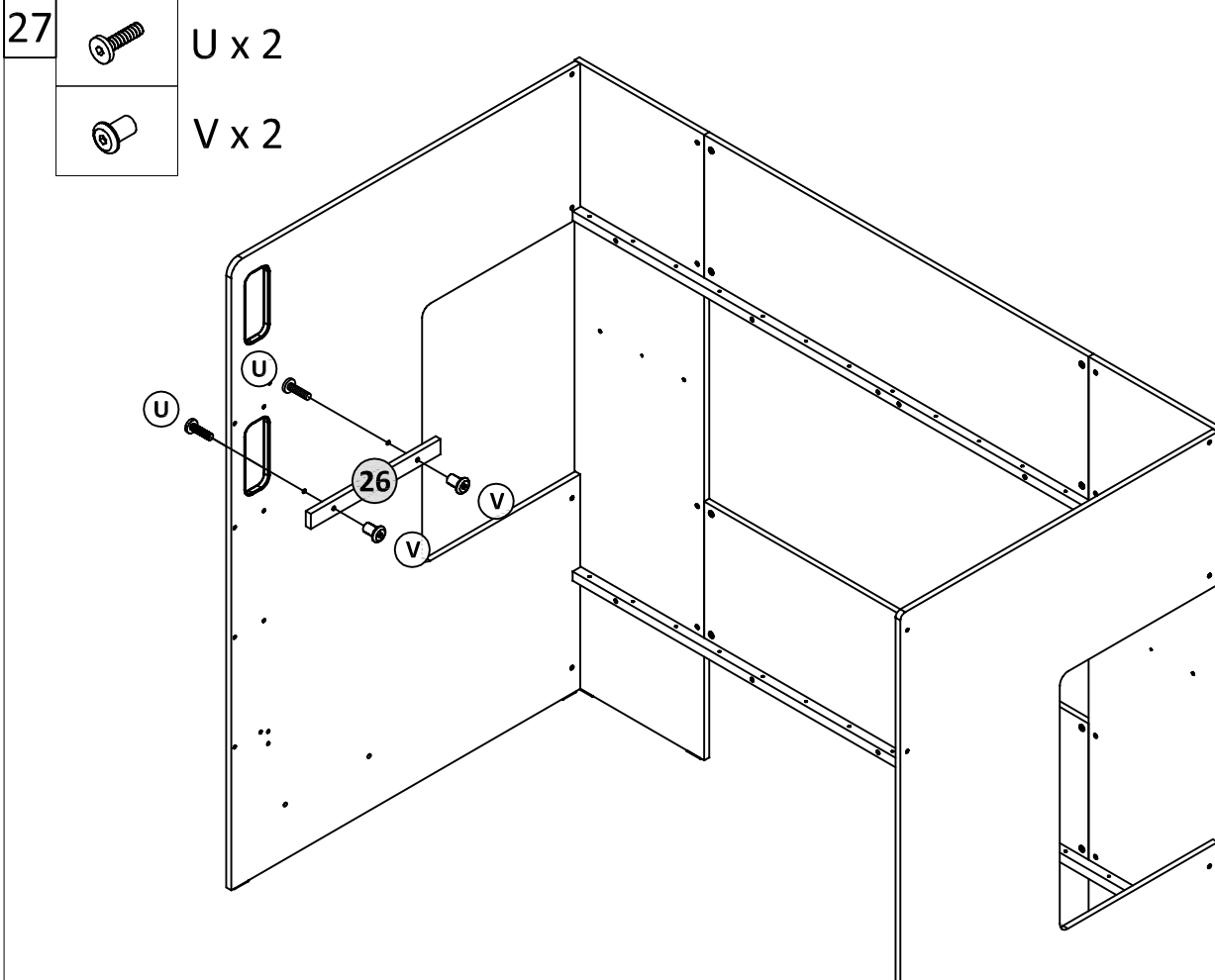
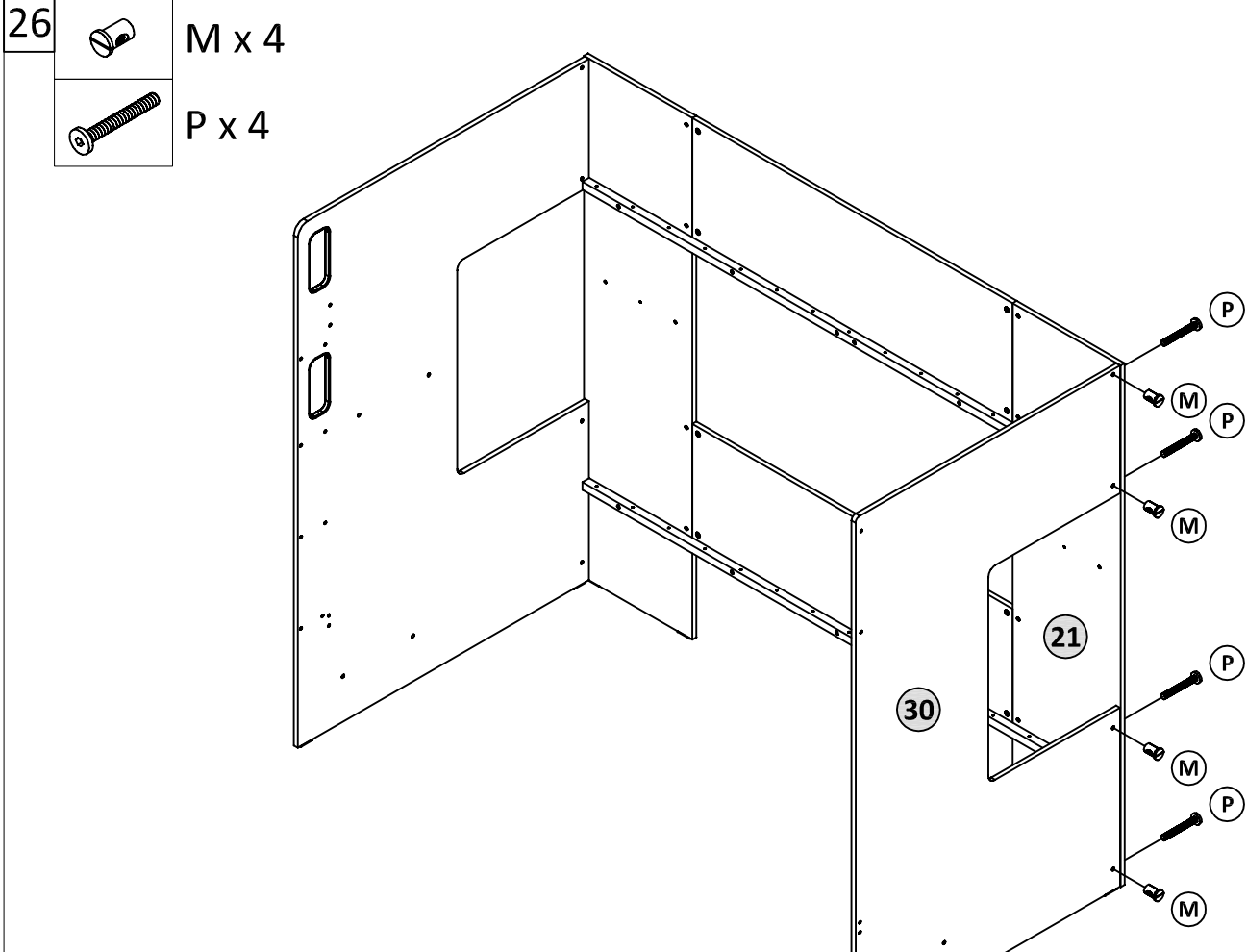


25



# Guide To Assembly

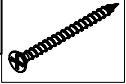
## Model : Montana [940 x 1930mm (Base Int Size)]



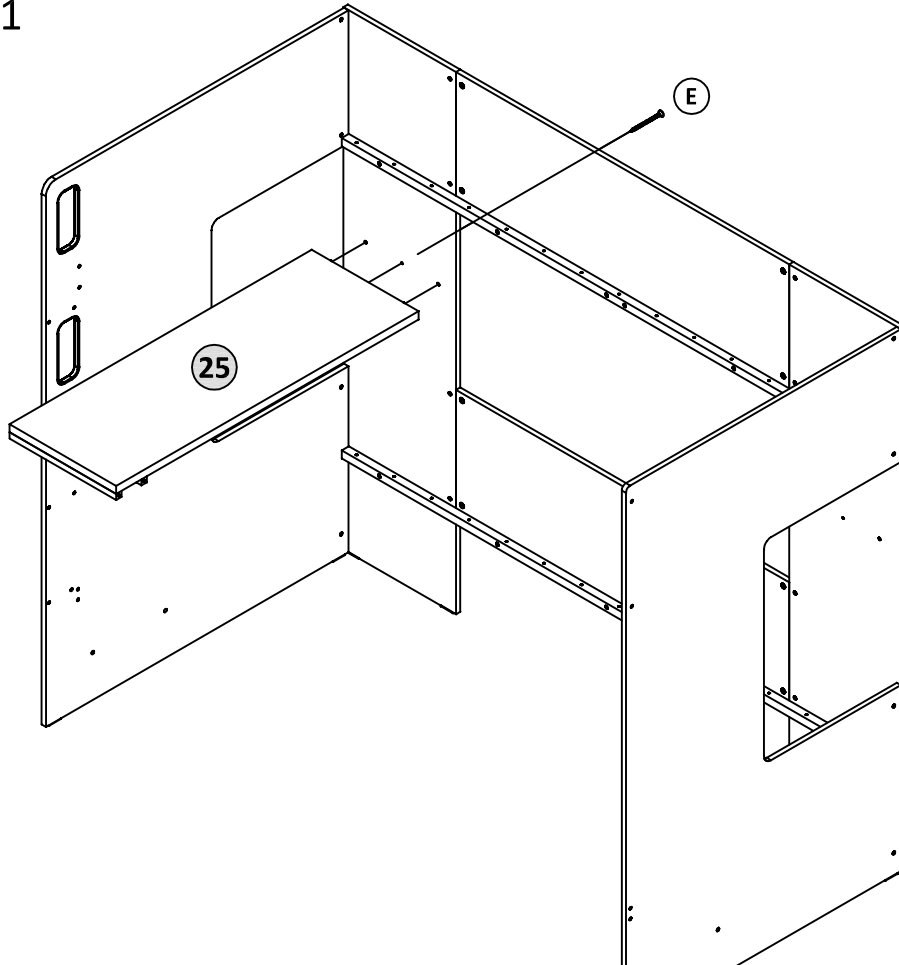
# Guide To Assembly

Model : Montana [940 x 1930mm (Base Int Size)]

28



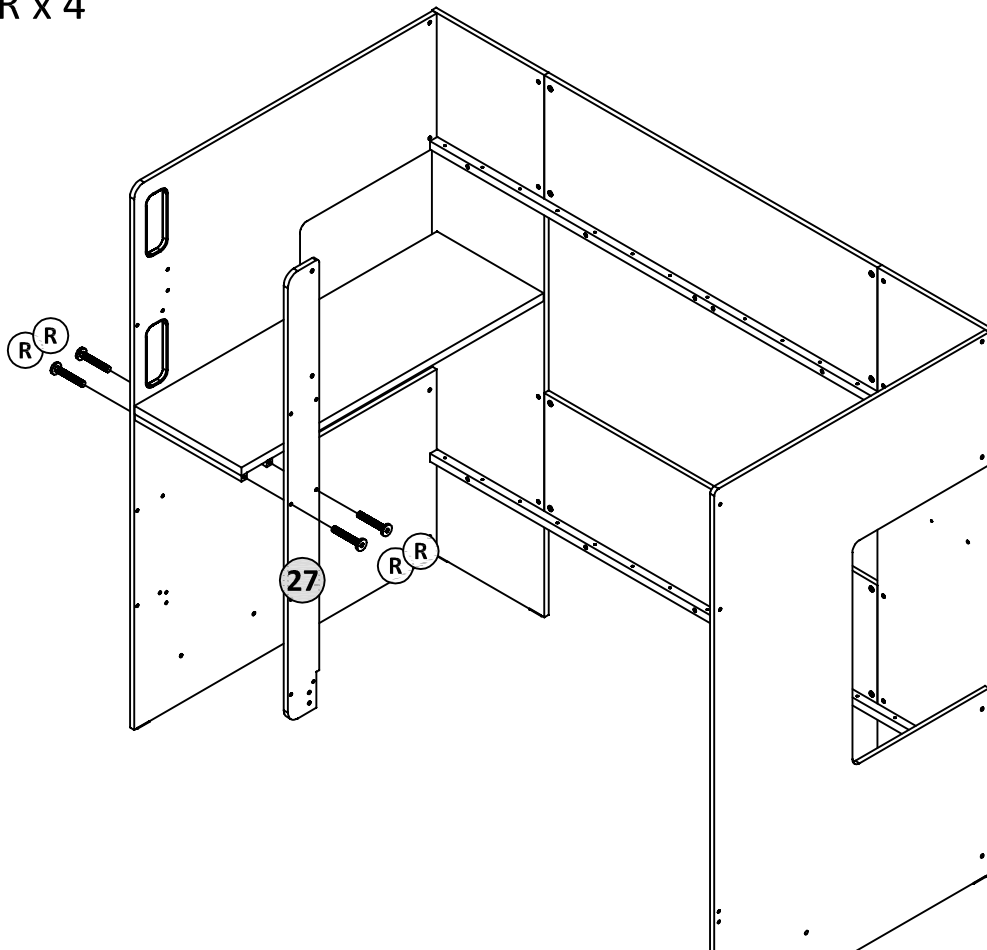
E x 1



29




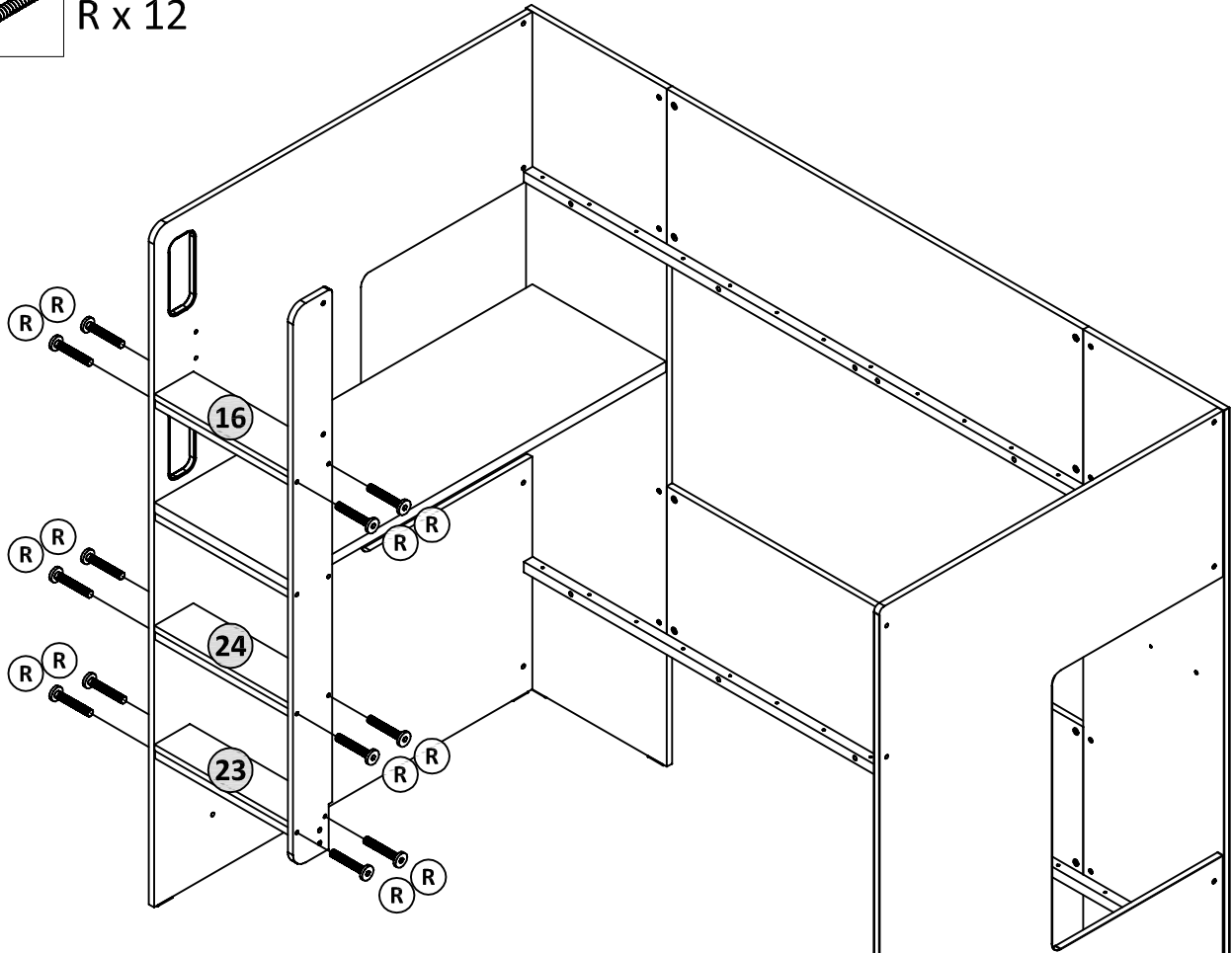
R x 4


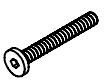


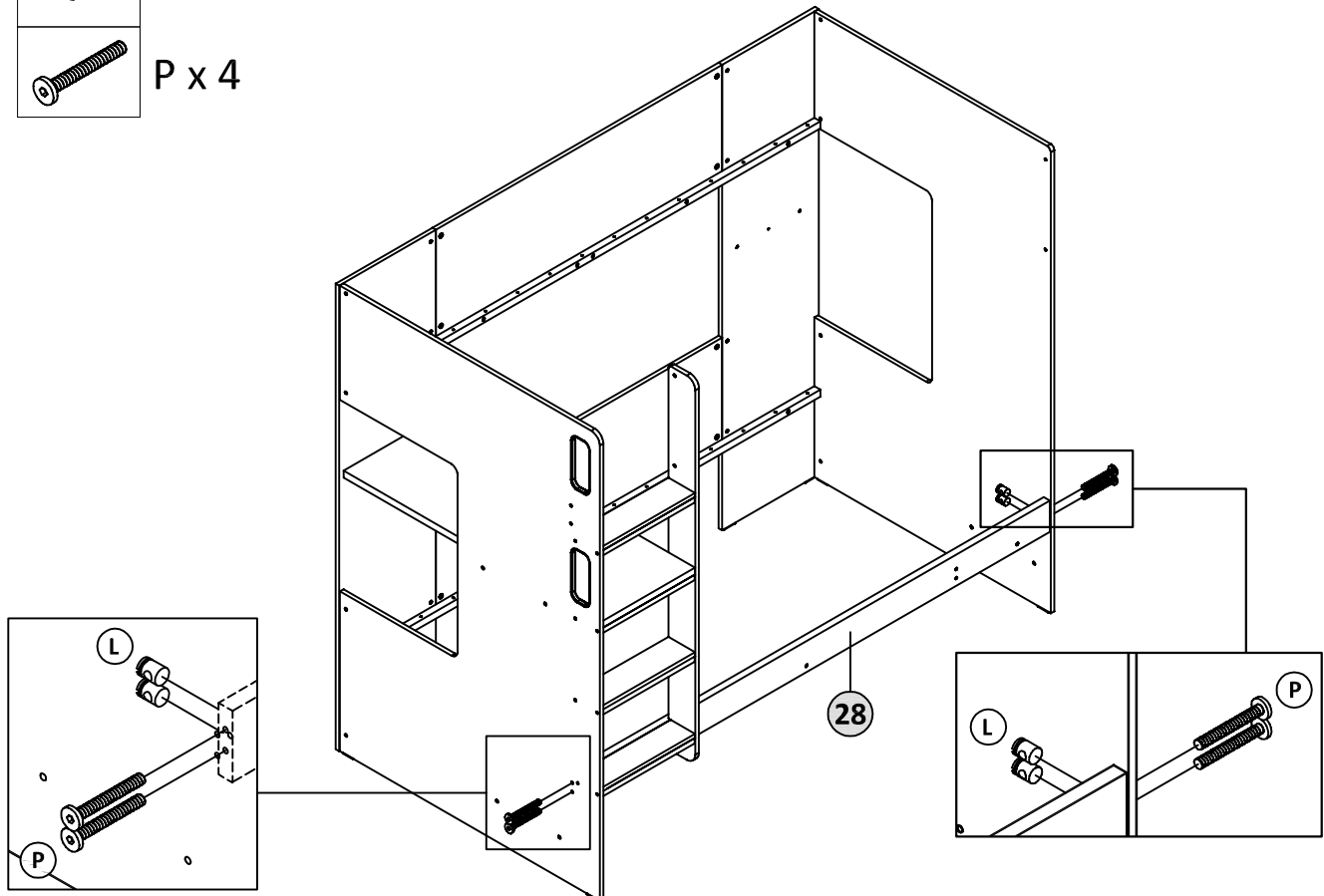
# Guide To Assembly

## Model : Montana [940 x 1930mm (Base Int Size)]

30  R x 12



31  L x 4  
 P x 4



# Guide To Assembly

## Model : Montana [940 x 1930mm (Base Int Size)]

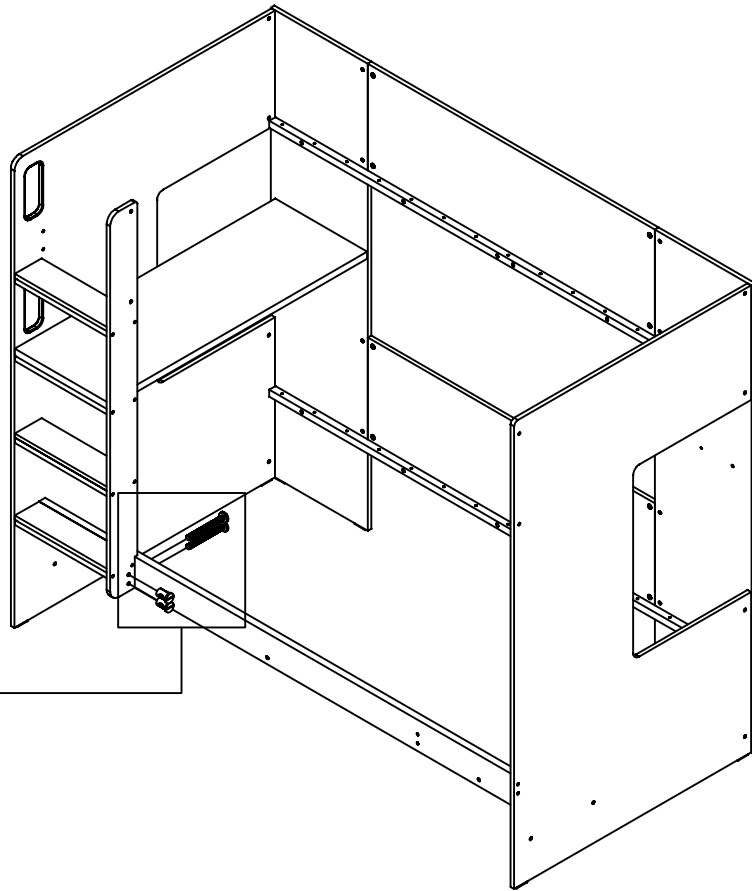
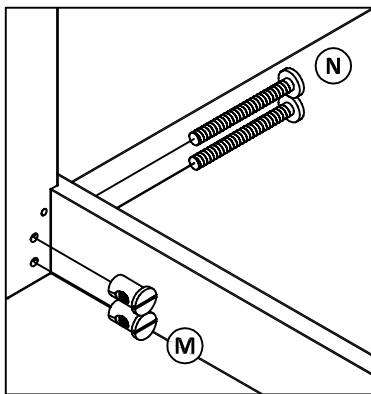
32



M x 2



N x 2



33



Q x 3



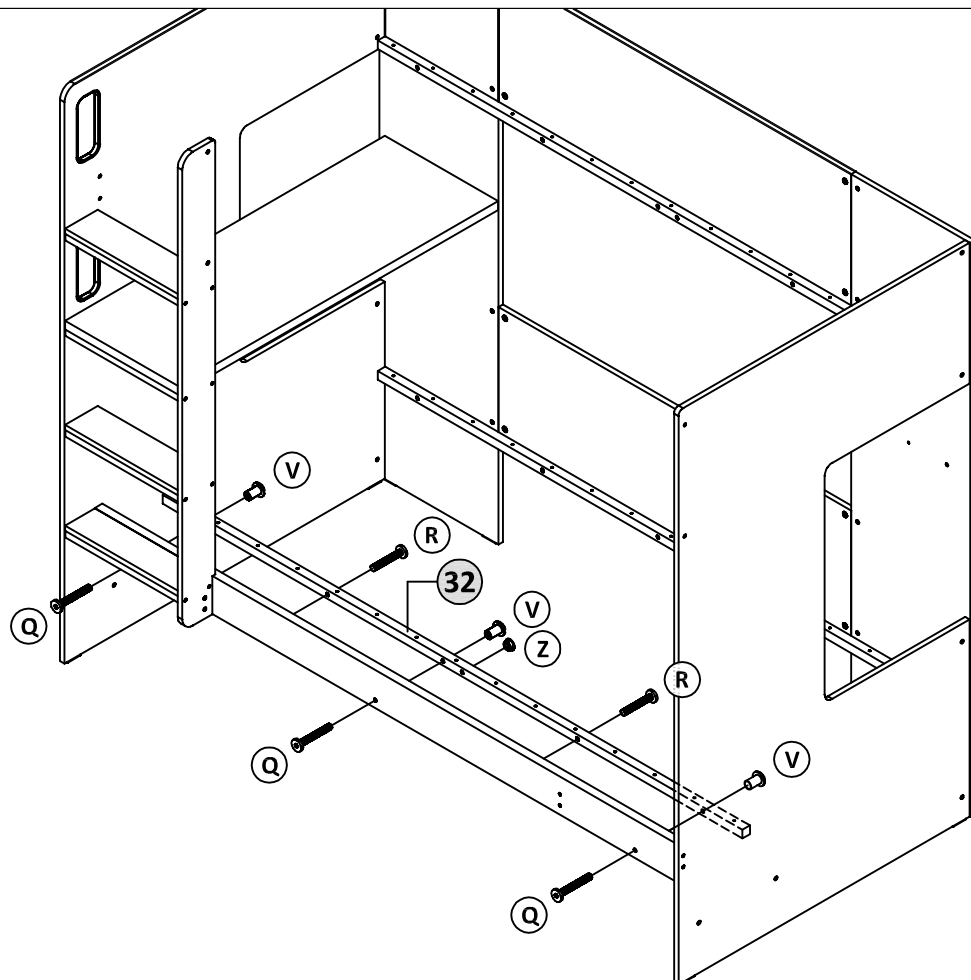
R x 2



V x 3



Z x 1





# Guide To Assembly

## Model : Montana [940 x 1930mm (Base Int Size)]

34



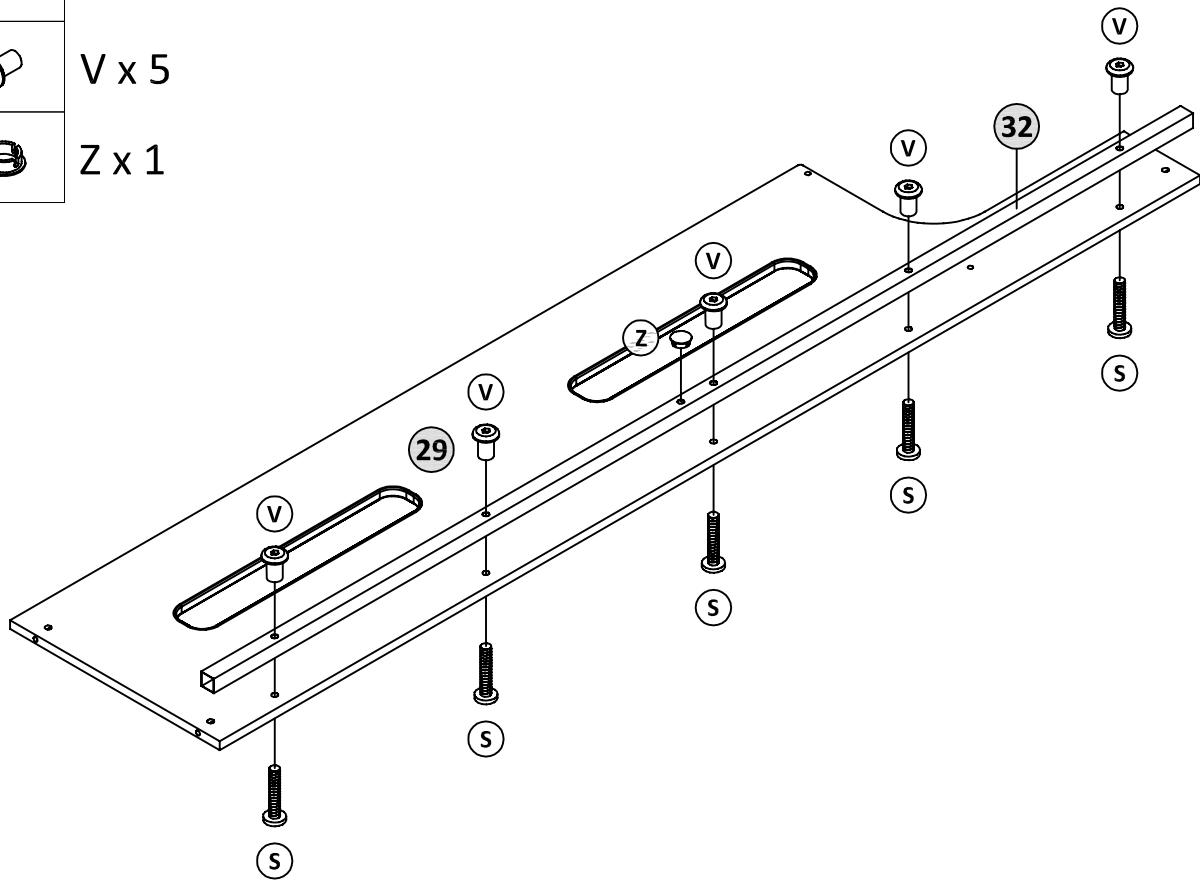
S x 5



V x 5



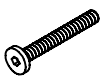
Z x 1



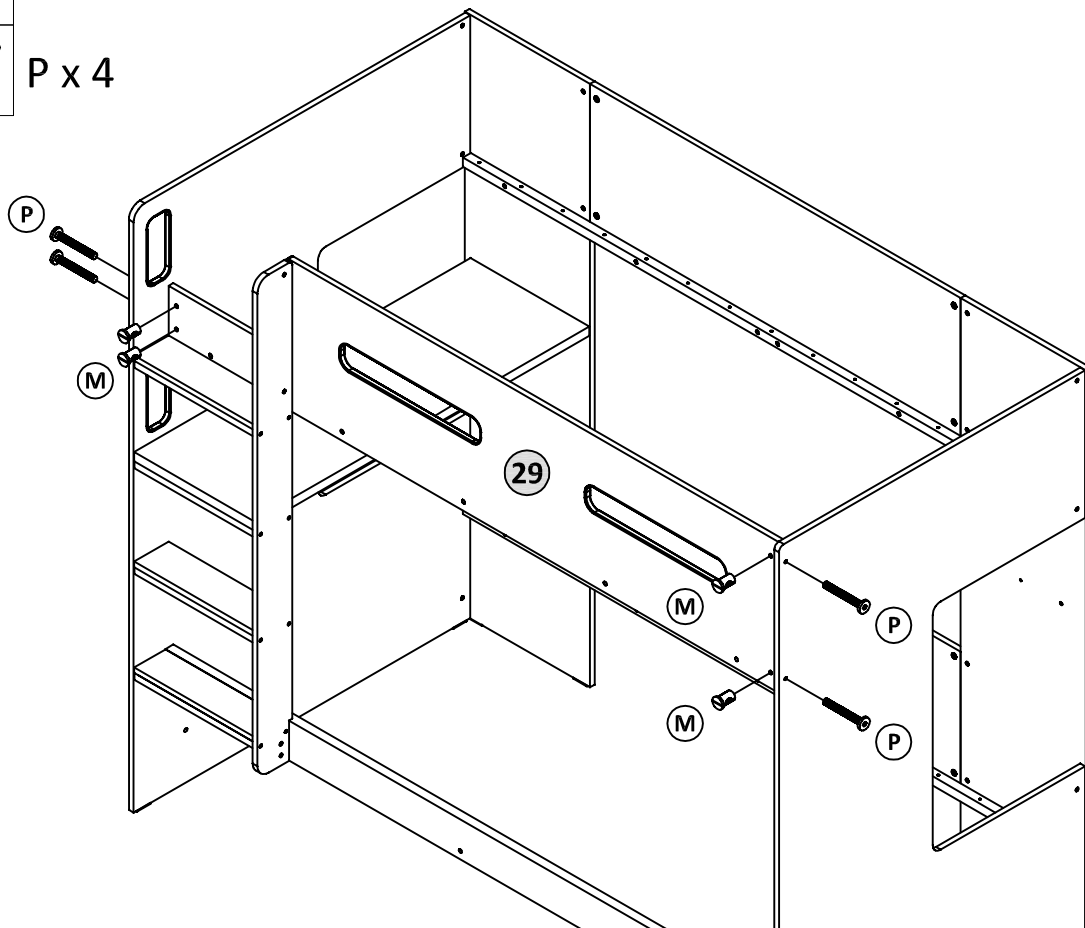
35



M x 4



P x 4



# Guide To Assembly

## Model : Montana [940 x 1930mm (Base Int Size)]

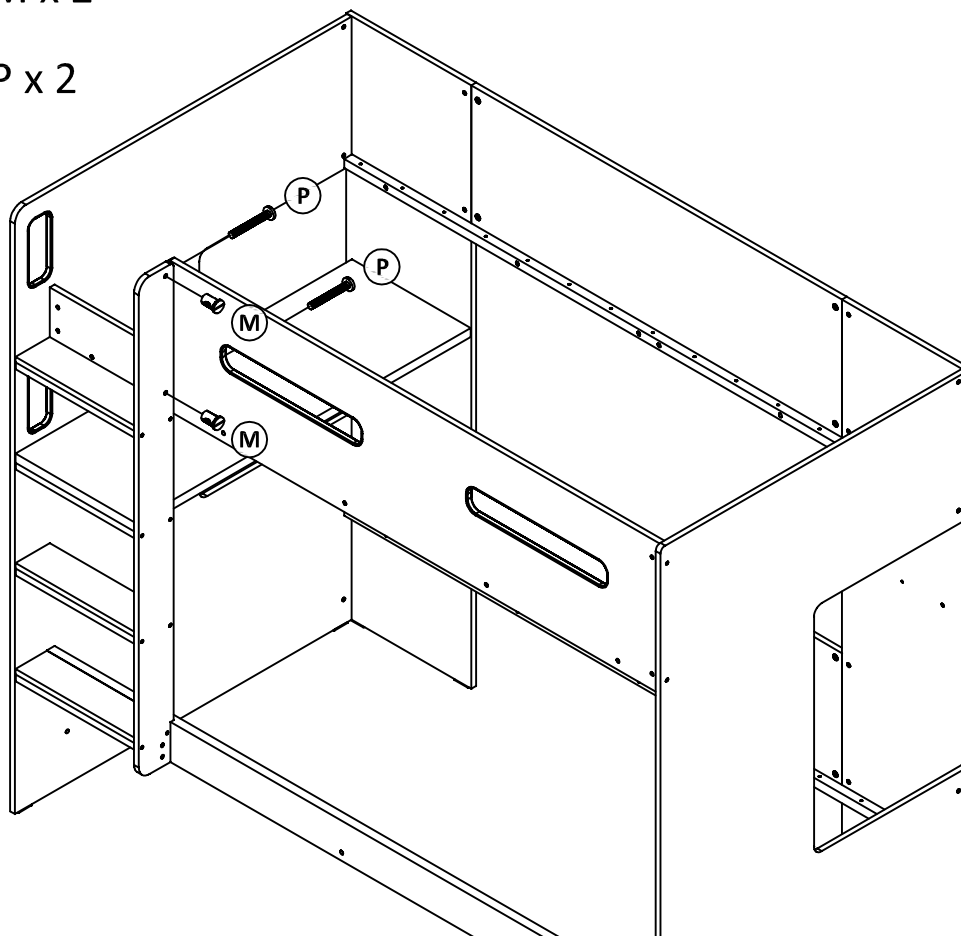
36



M x 2



P x 2



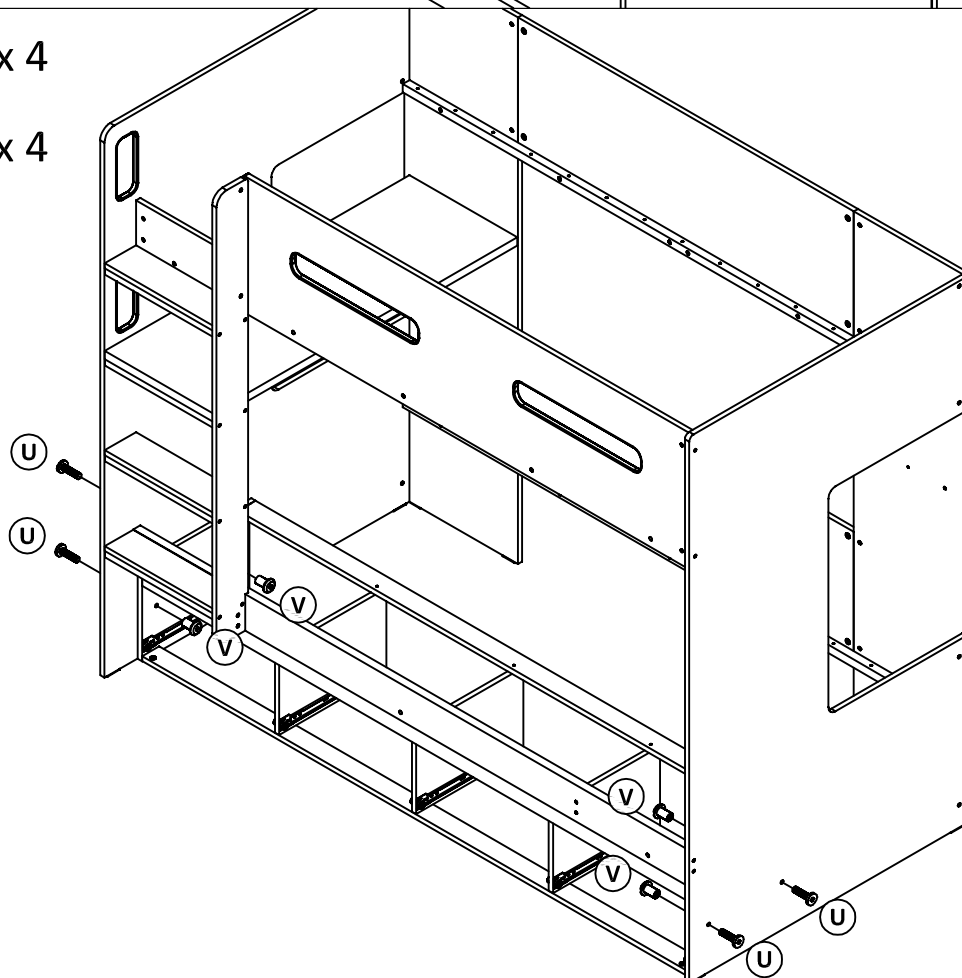
37



U x 4



V x 4



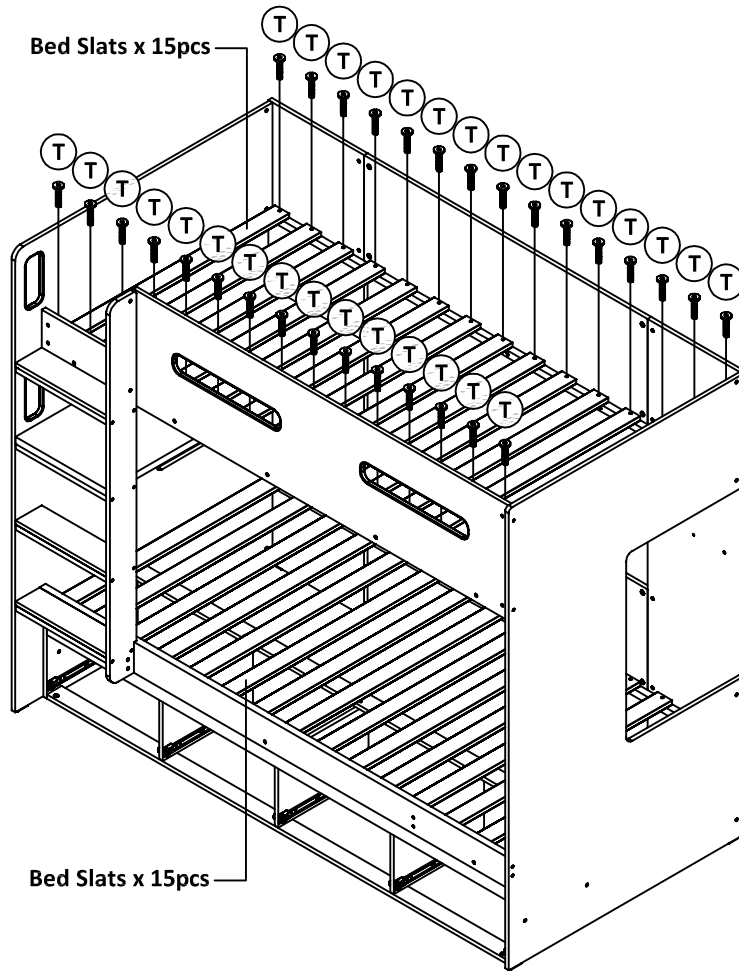
# Guide To Assembly

## Model : Montana [940 x 1930mm (Base Int Size)]

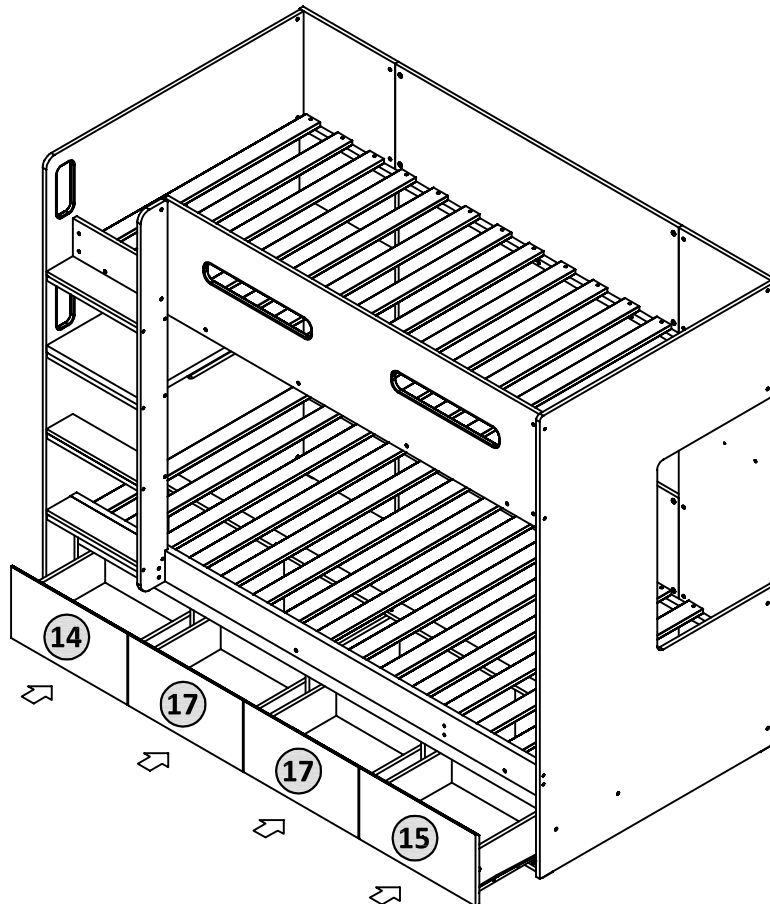
38



T x 60



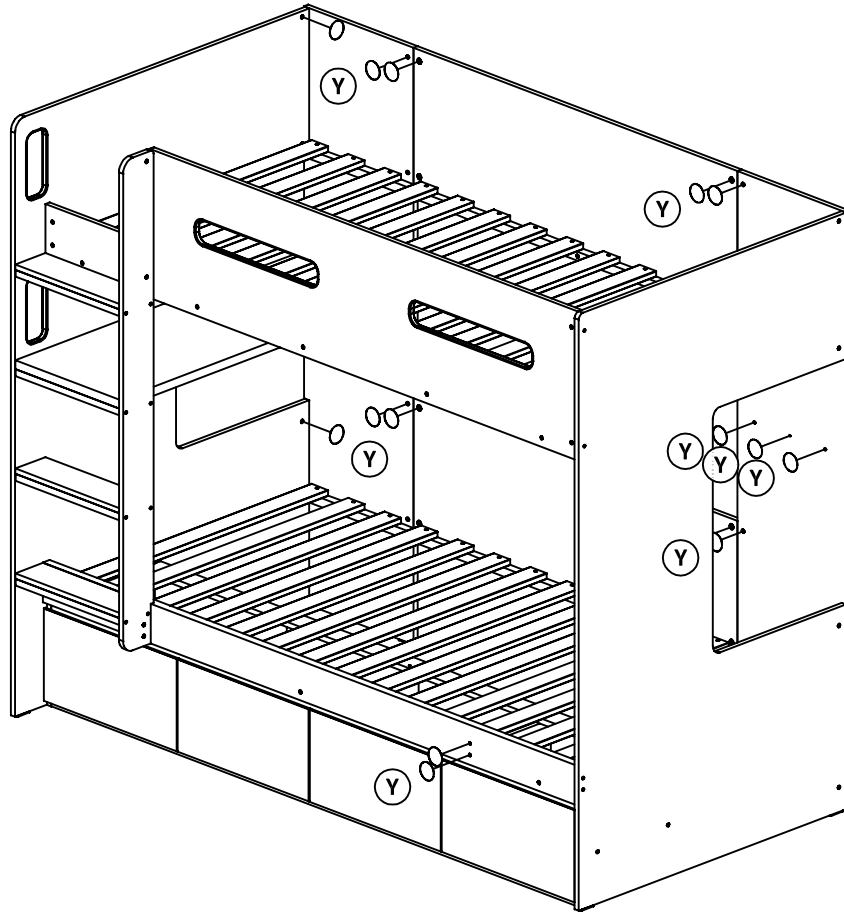
39



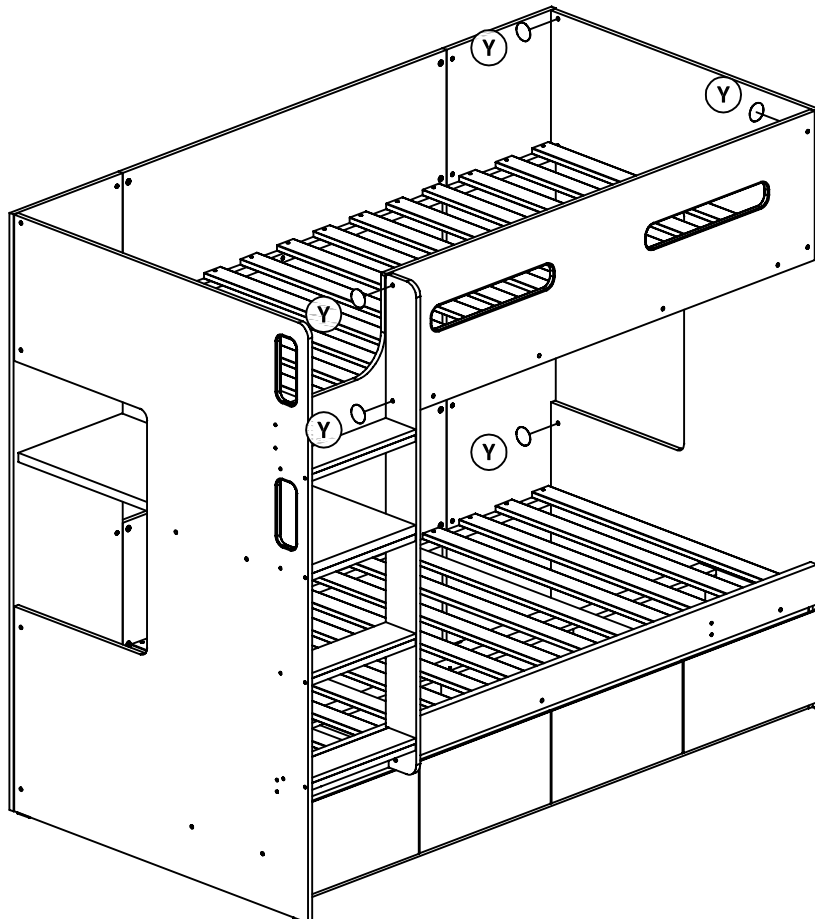
# Guide To Assembly

## Model : Montana [940 x 1930mm (Base Int Size)]

40 ○ Y x 15



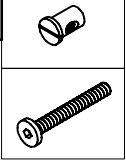
41 ○ Y x 7



# Guide To Assembly

## Model : Montana [940 x 1930mm (Base Int Size)]

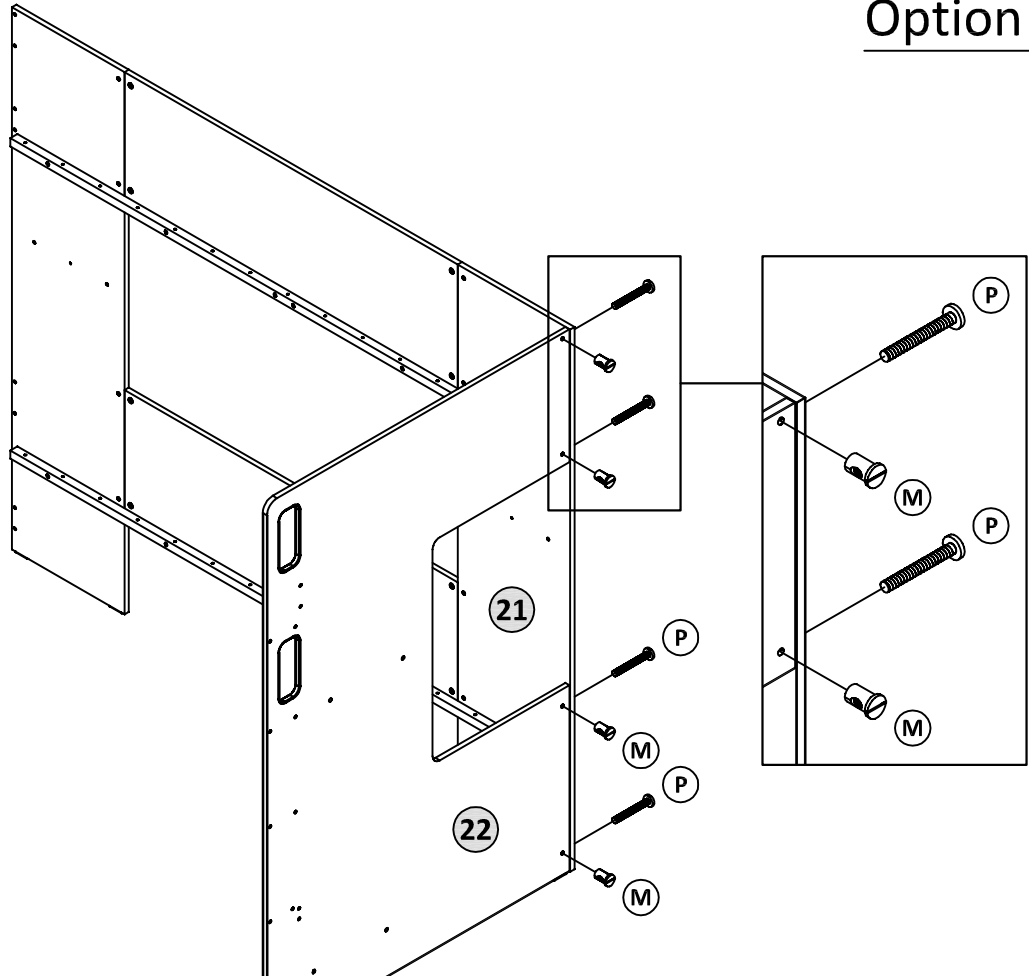
24



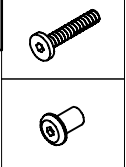
M x 4

P x 4

Option B

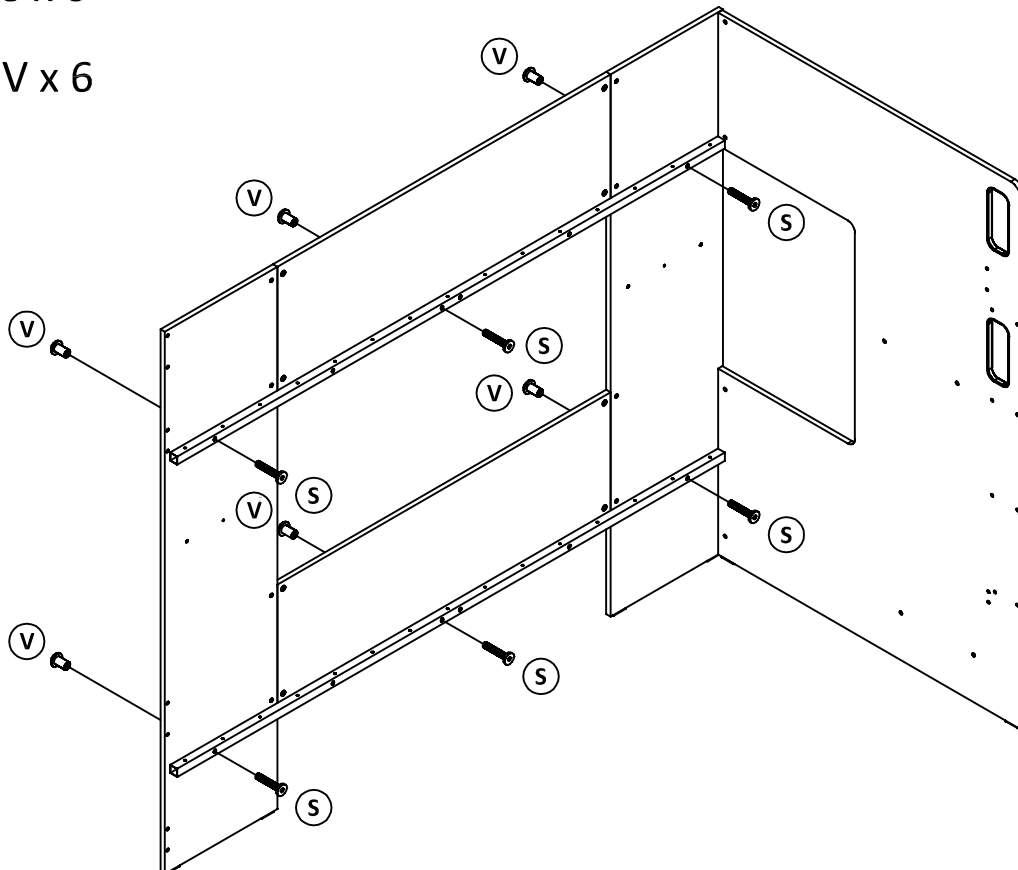


25



S x 6

V x 6



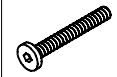
# Guide To Assembly

## Model : Montana [940 x 1930mm (Base Int Size)]

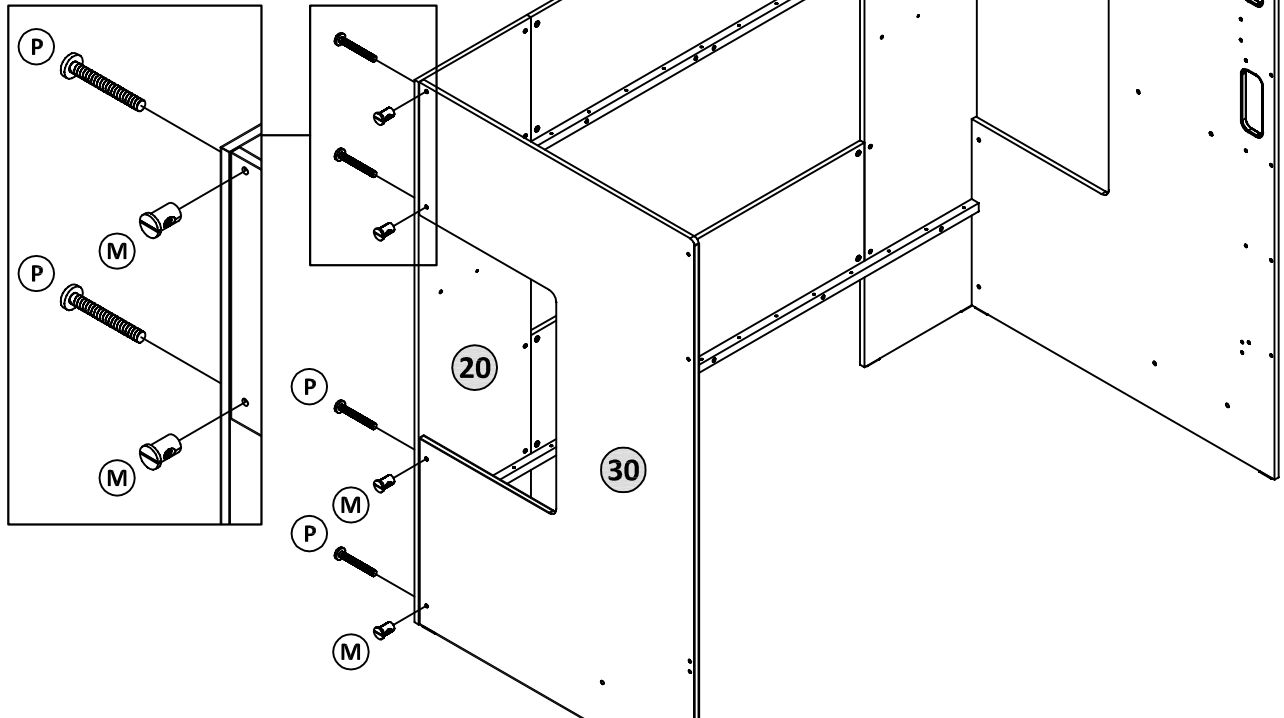
26



M x 4



P x 4



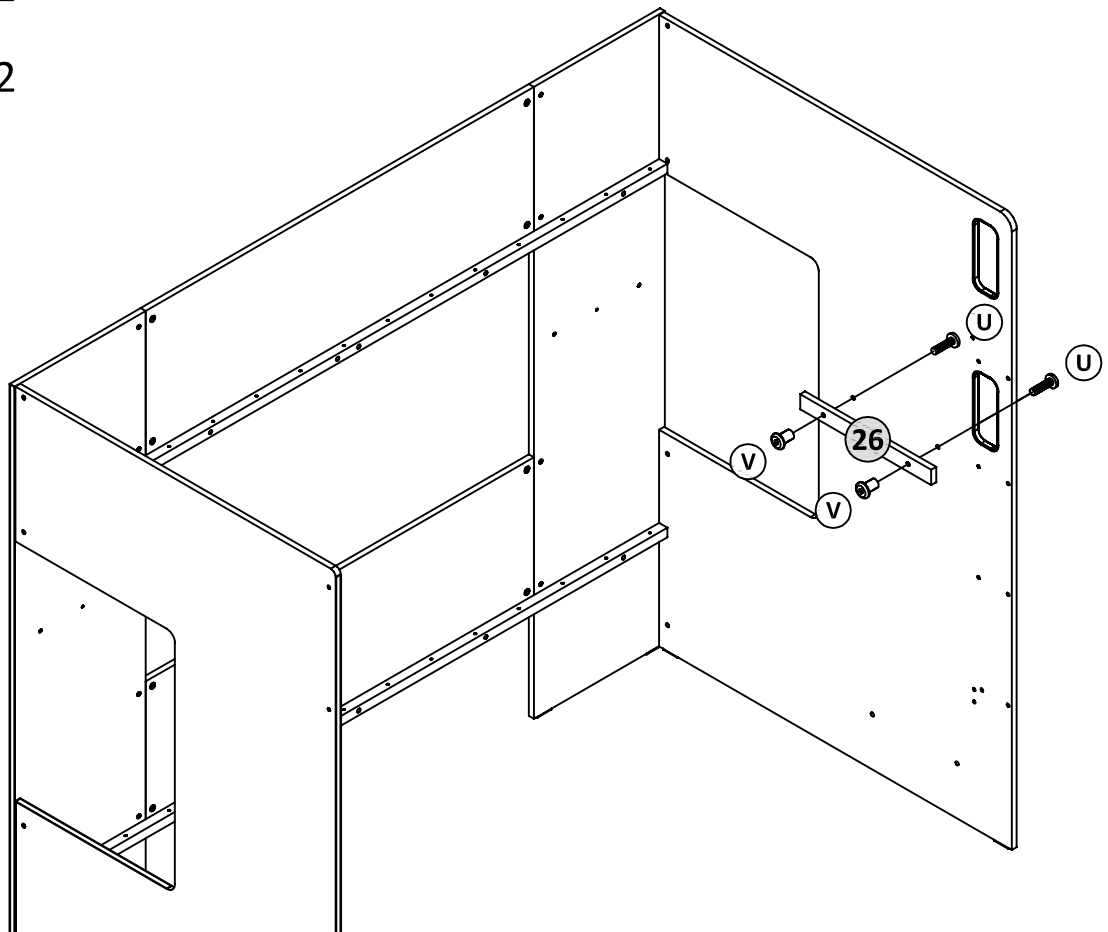
27



U x 2




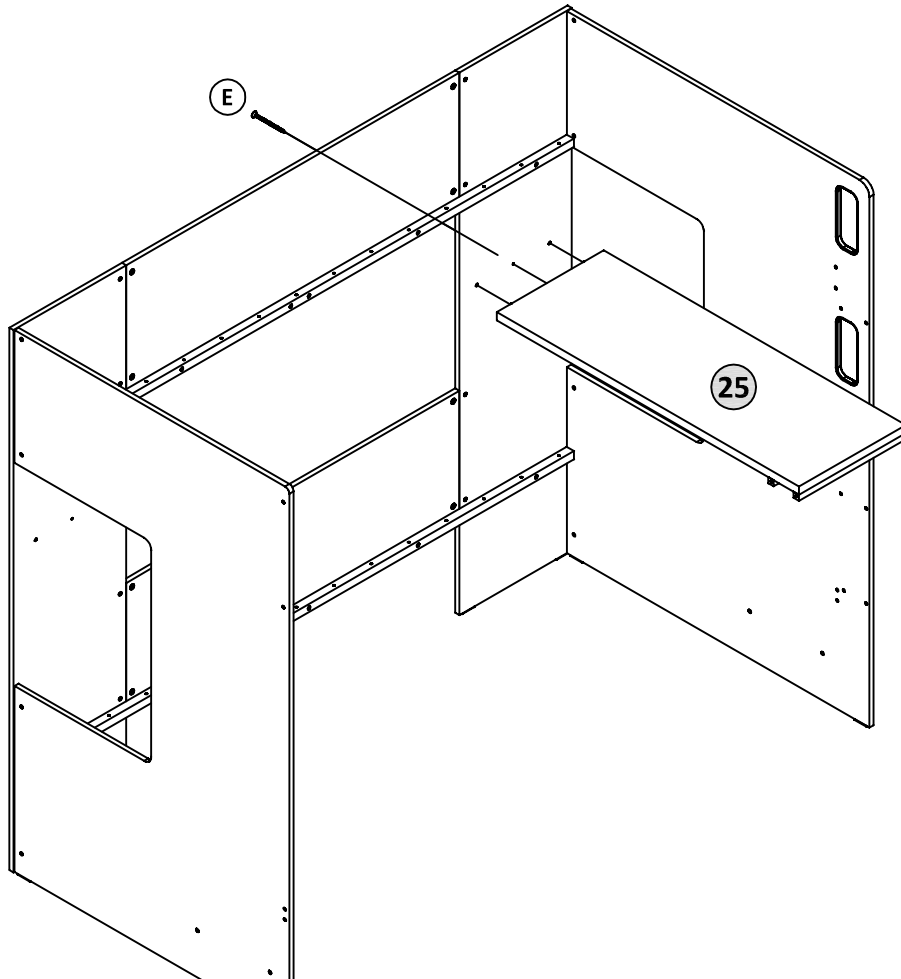
V x 2




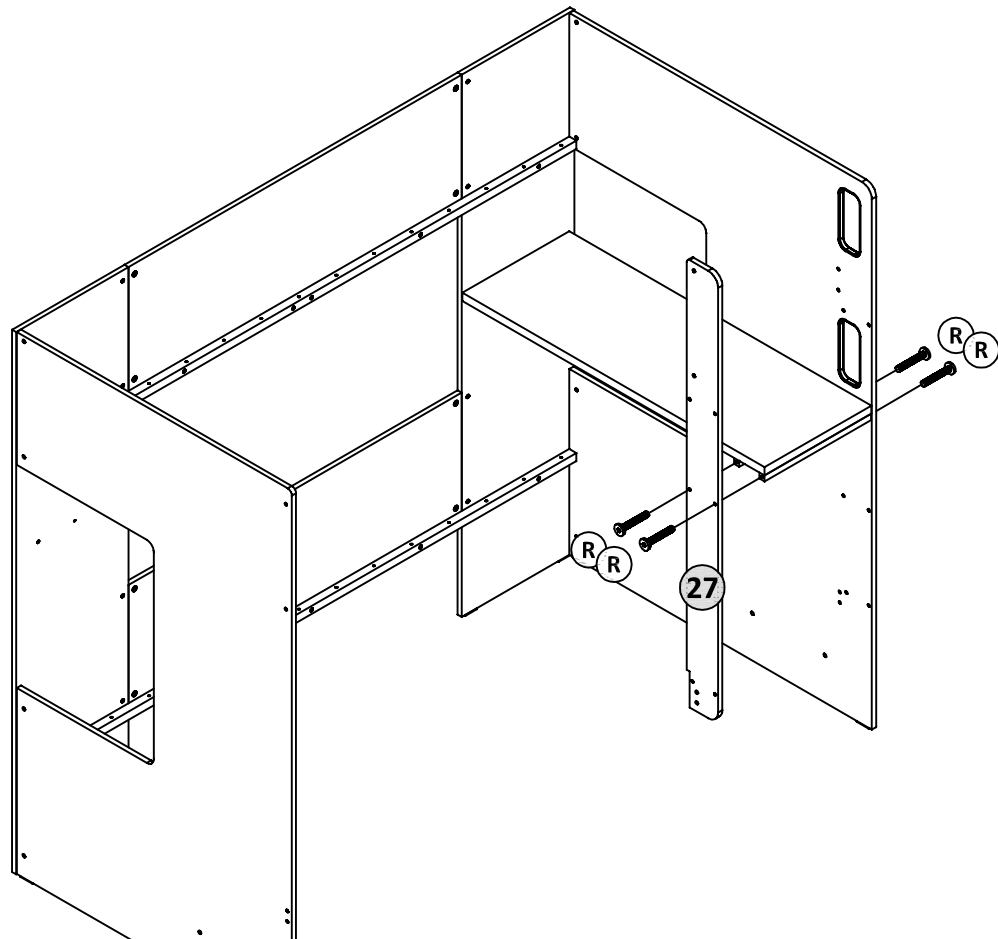
# Guide To Assembly

## Model : Montana [940 x 1930mm (Base Int Size)]

28  E x 1




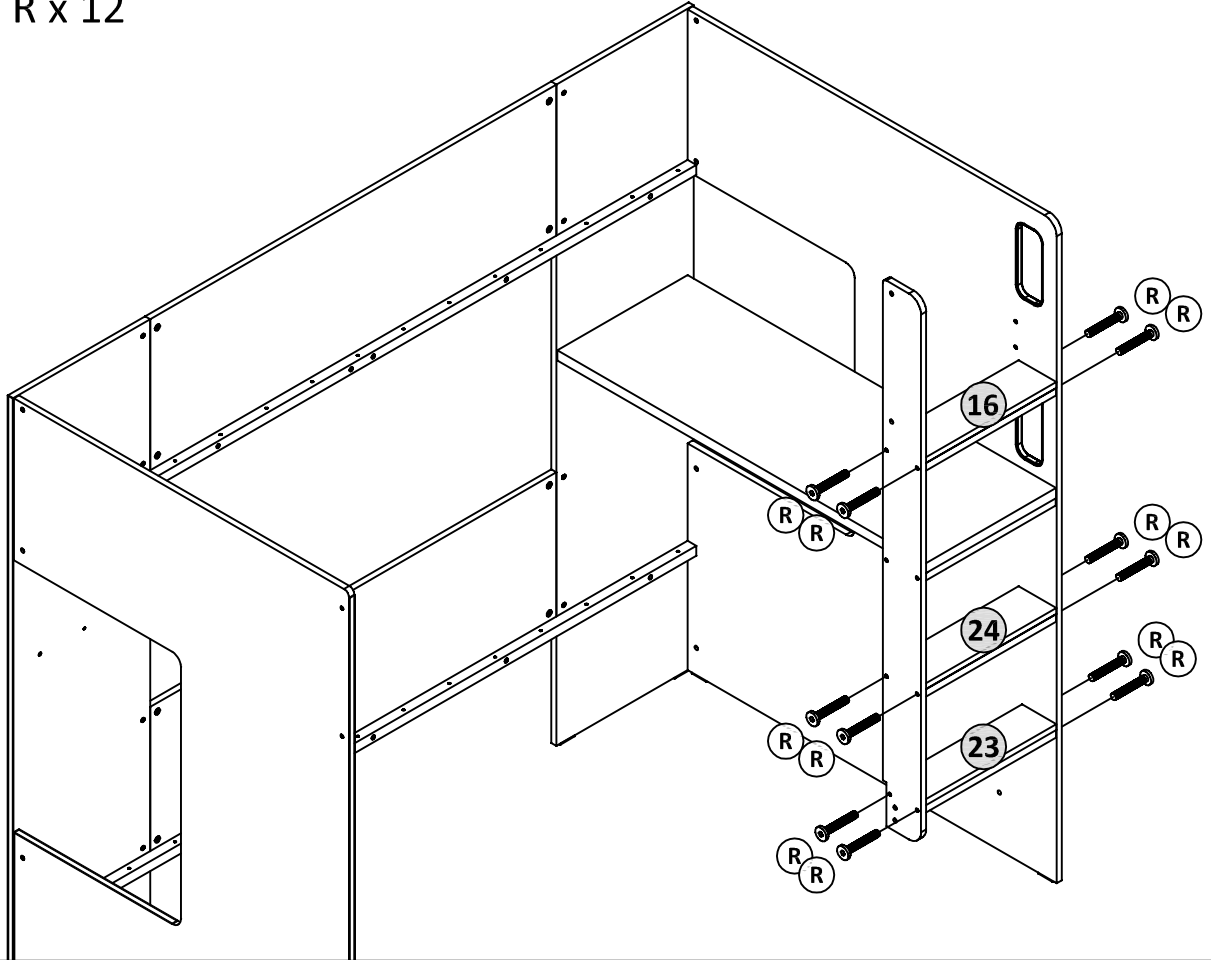
29  R x 4


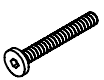


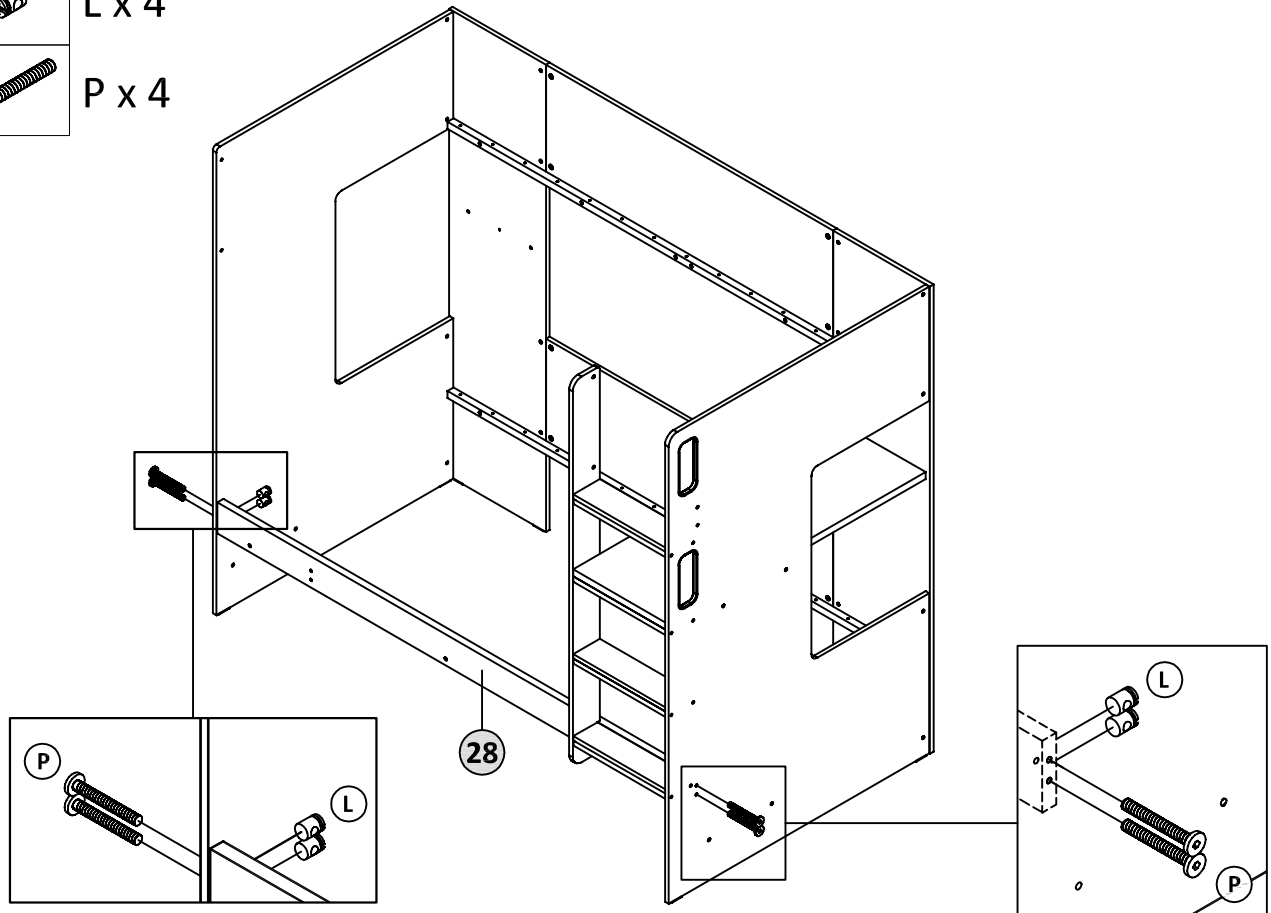
# Guide To Assembly

## Model : Montana [940 x 1930mm (Base Int Size)]

30  R x 12



31  L x 4  
 P x 4





# Guide To Assembly

## Model : Montana [940 x 1930mm (Base Int Size)]

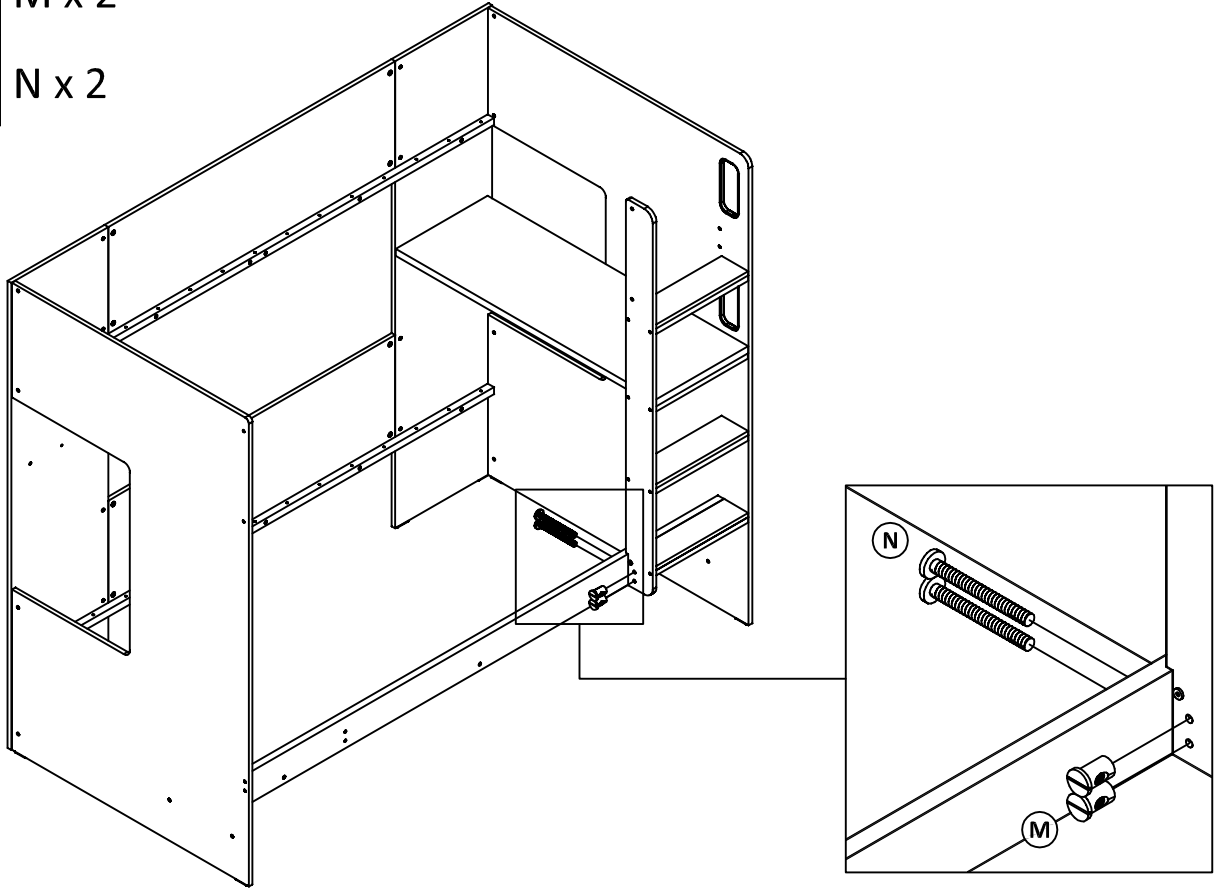
32



M x 2



N x 2



33



Q x 3



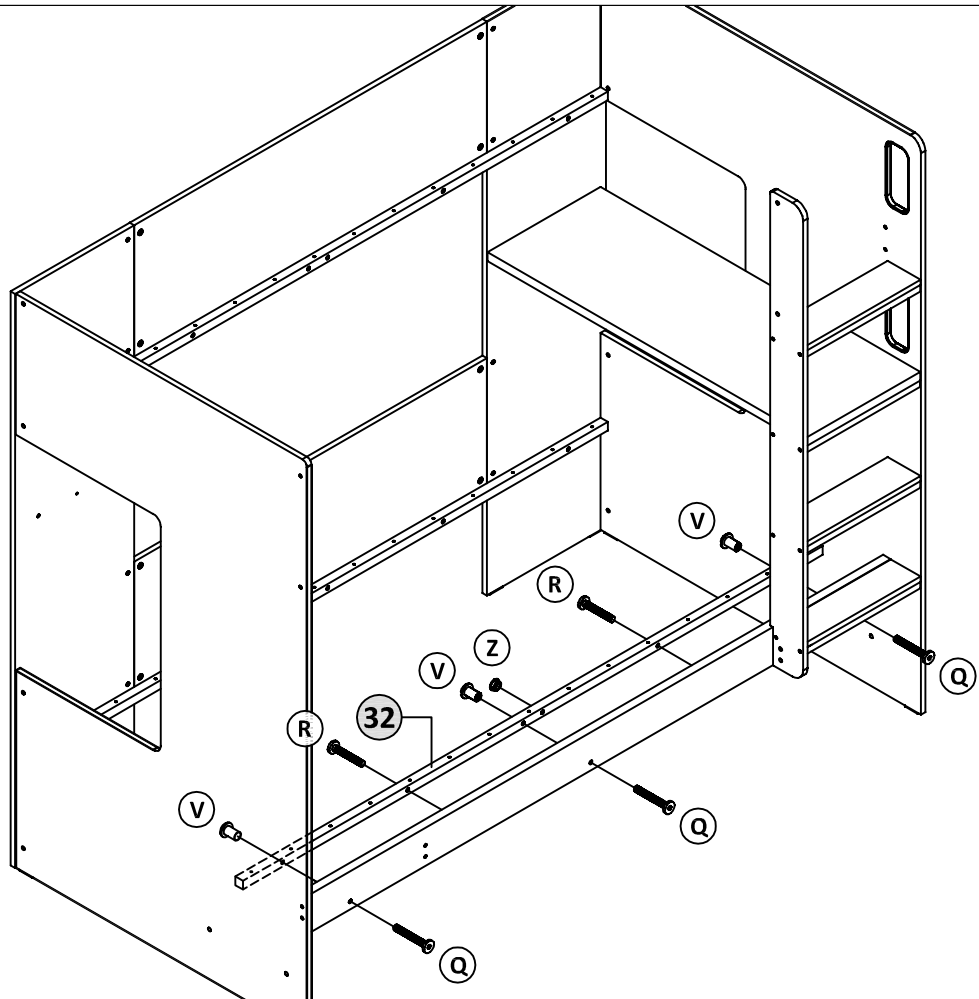
R x 2



V x 3




Z x 1





# Guide To Assembly

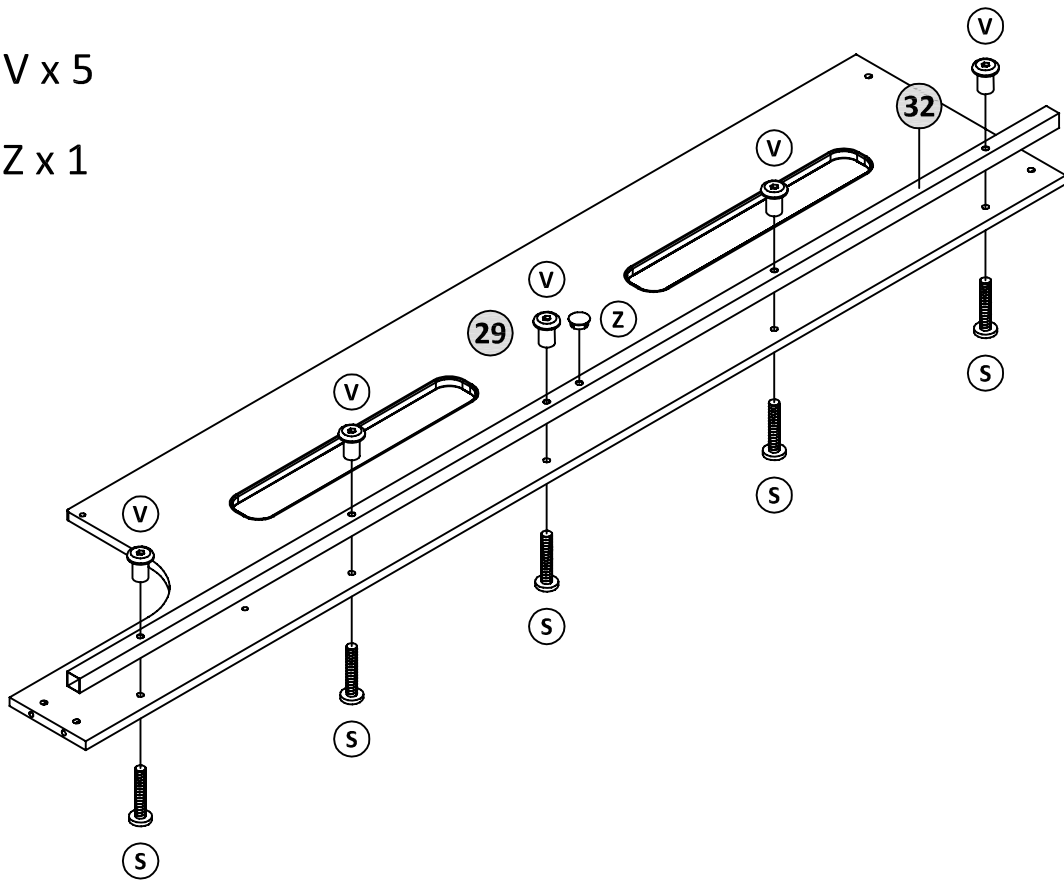
## Model : Montana [940 x 1930mm (Base Int Size)]

34


 S x 5

 V x 5

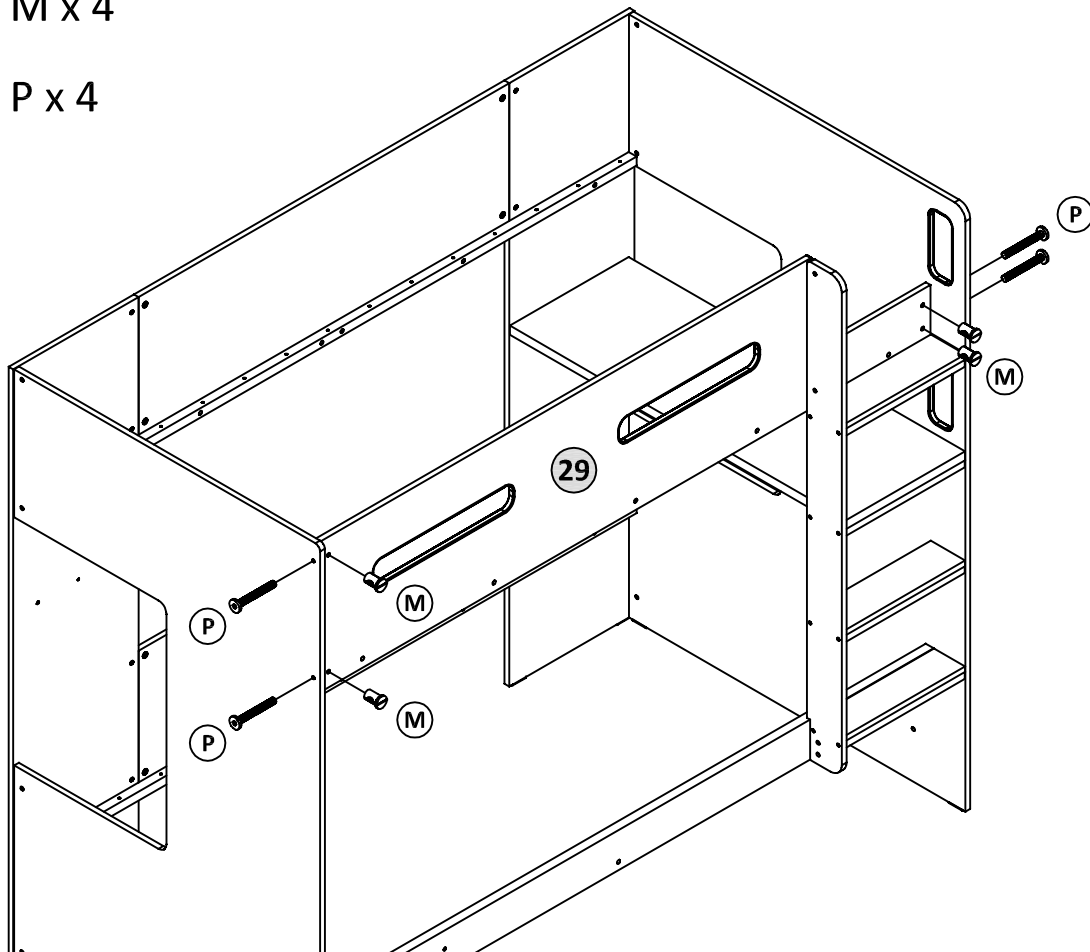
 Z x 1



35

 M x 4

 P x 4



# Guide To Assembly

## Model : Montana [940 x 1930mm (Base Int Size)]

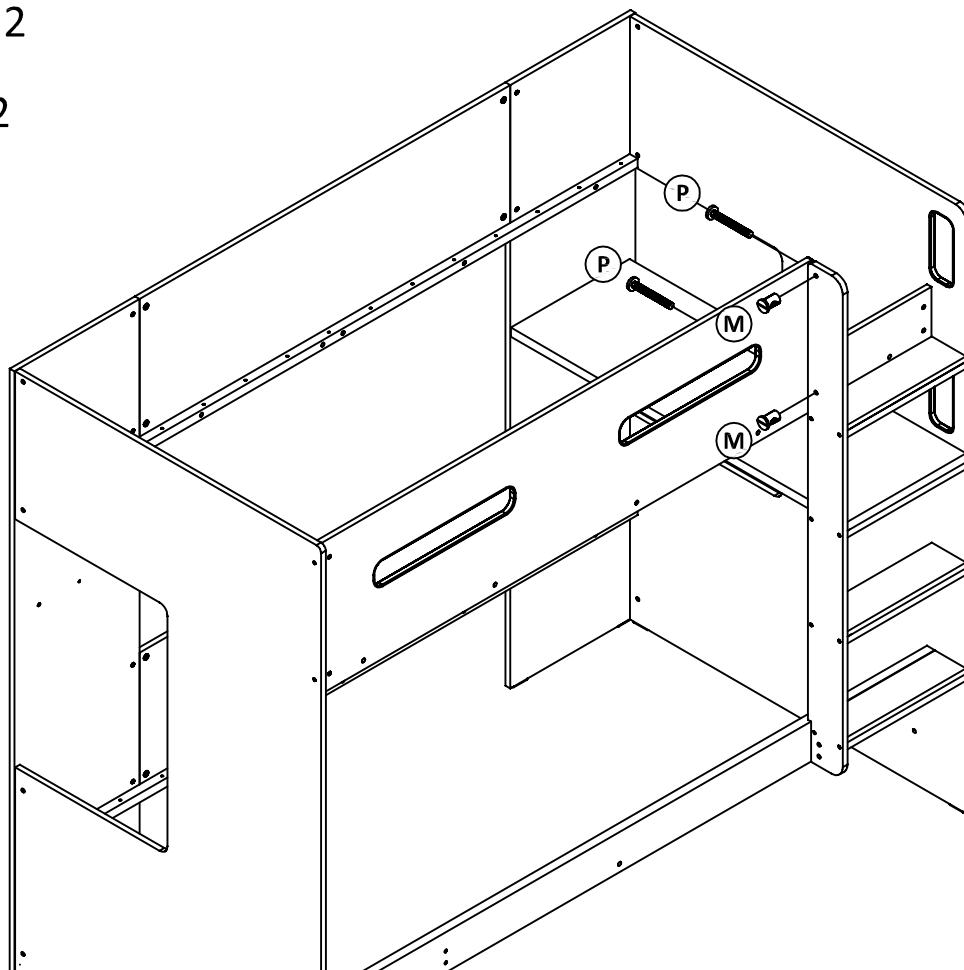
36



M x 2



P x 2



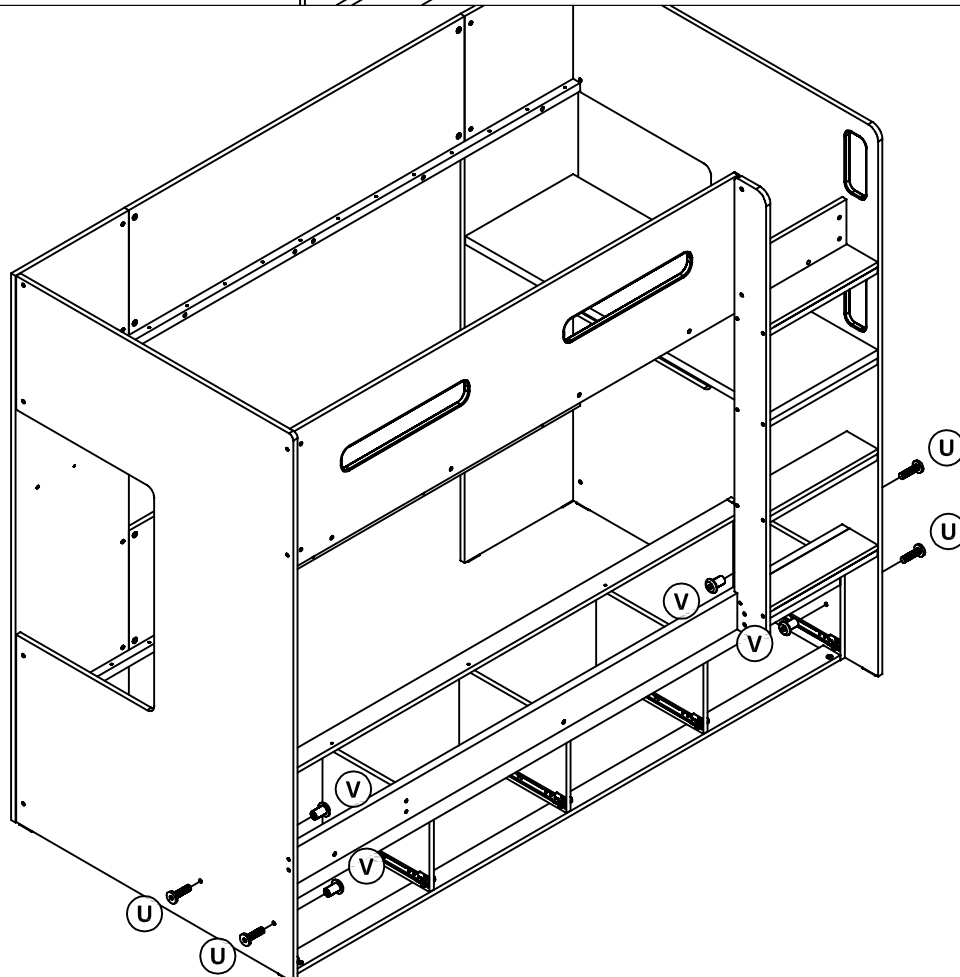
37



U x 4



V x 4



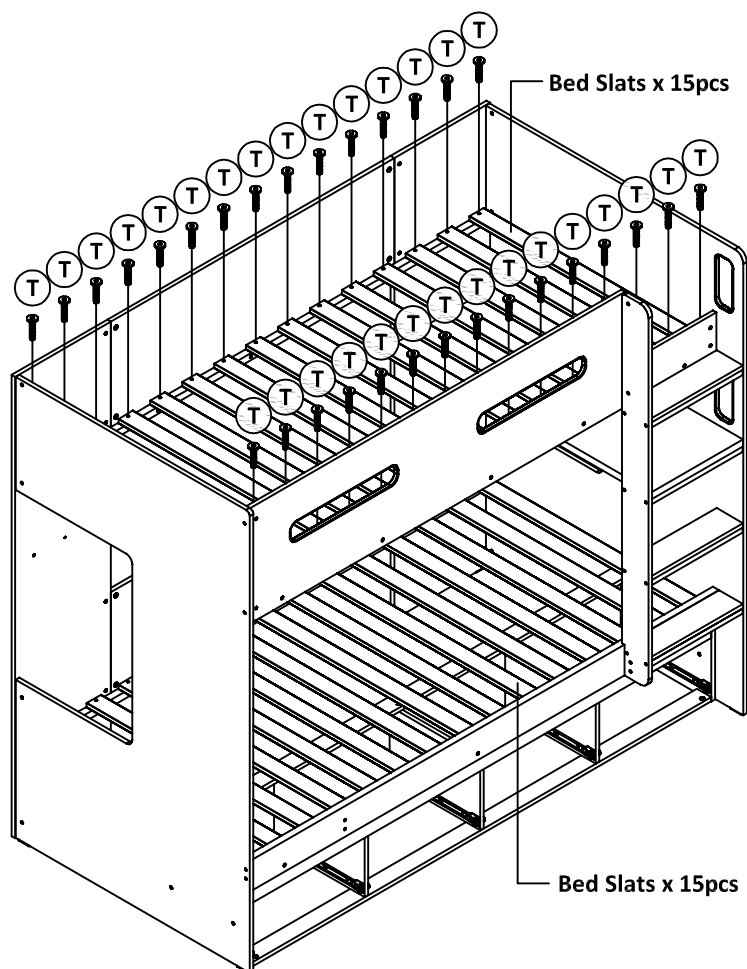
# Guide To Assembly

## Model : Montana [940 x 1930mm (Base Int Size)]

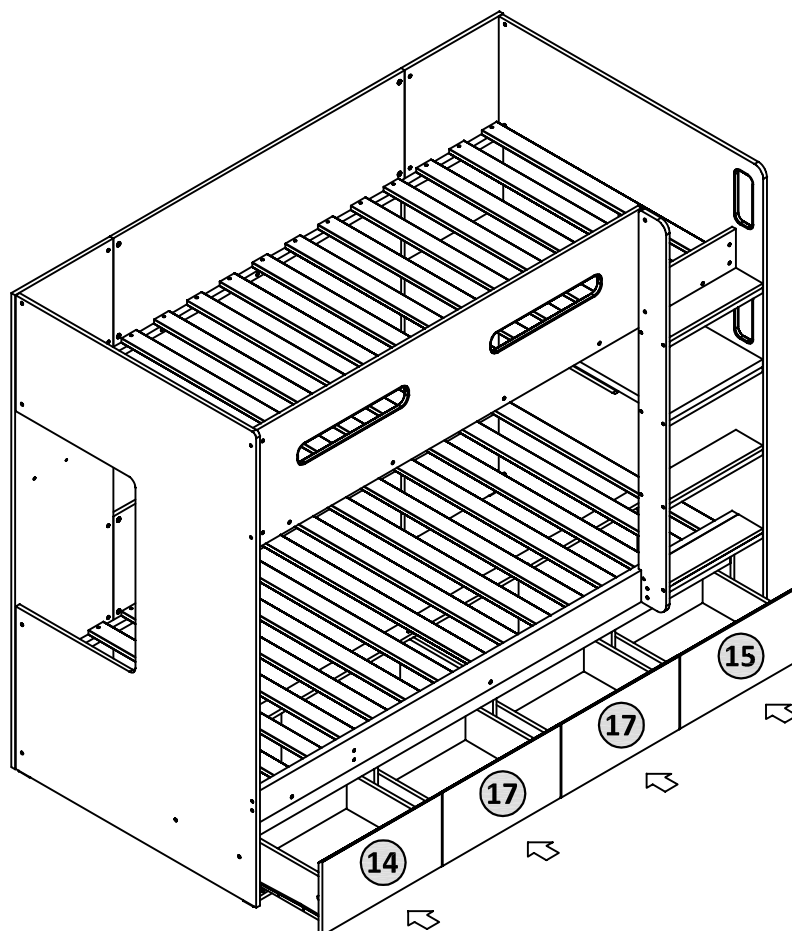
38



T x 60



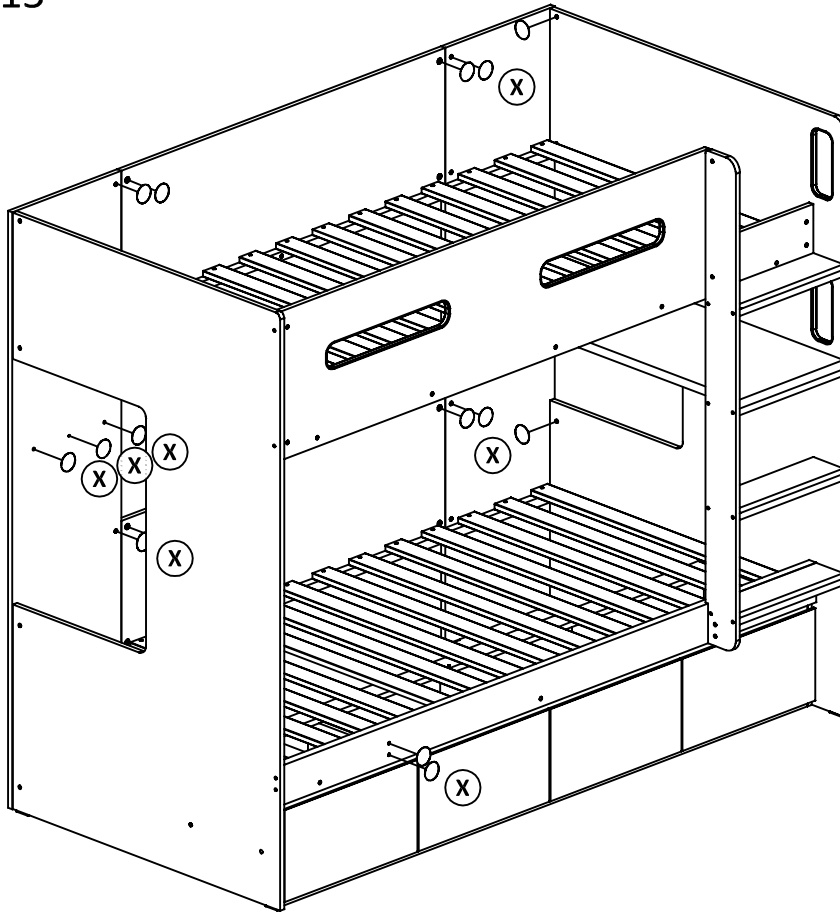
39



# Guide To Assembly

## Model : Montana [940 x 1930mm (Base Int Size)]

40 ○ X x 15



41 ○ X x 7

