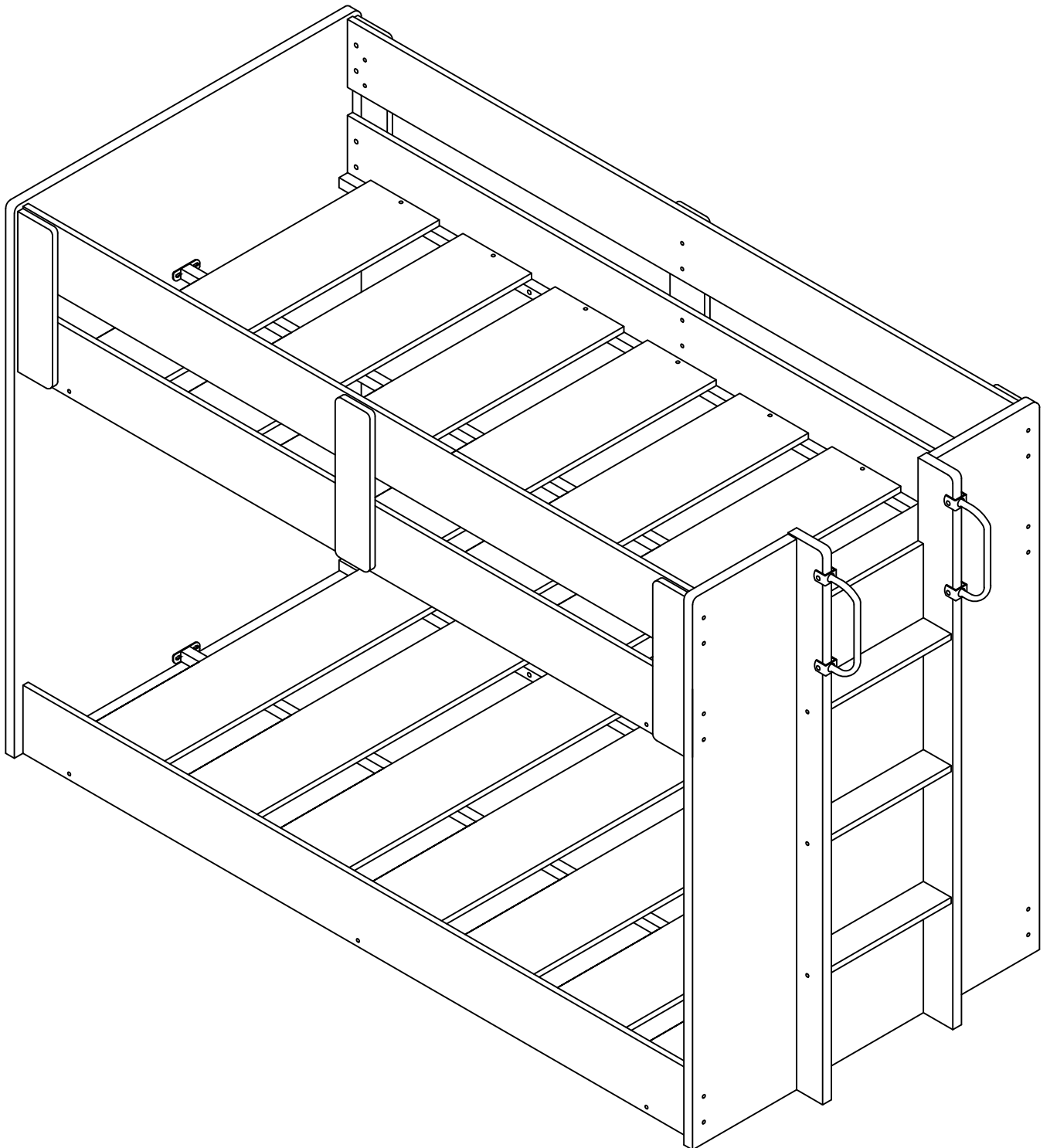


MODEL: SS 9036

SANTANA MIDSLEEPER



Thank you for purchasing this product. Before starting assembly we suggest you spend a short time reading through this leaflet, then follow the simple step by step guide.

NOTE: Two person are needed to assemble this product. Assembly should be carried out in the room that the bed will be used.

BEFORE YOU START, HERE IS SOME HELPFUL ADVICE

1. Ensure that the top mattress fitted to this bunk is no higher than the warning label attached to the safety rail assembly. IE: maximum mattress height 200mm (8").
2. Do not discard any of the packing until you have checked that you have all the parts and pack of fittings.
3. Assemble this product on a carpet.
4. To ensure an easier assembly, we strongly advise that all fittings are only finger tightened during initial assembly. Only upon completion of the Assembly should all fixing points be fully tightened.
5. We recommend a periodic check on all fixing points to make sure they remain fully tightened. This instruction should be kept in a safe place for future reference.
6. In the unlikely event that this product has missing or damaged parts, please contact your dealer. Do not use substitute parts.

SAFETY WARNINGS

- DO NOT ALLOW CHILDREN UNDER 6 YEARS OLD TO USE THE UPPER BUNK.
- PERIODICALLY ENSURE THAT THE GUARDRAILS, LADDER AND OTHER COMPONENTS ARE MAINTAINED IN THE PROPER POSITION AND ARE FREE FROM DAMAGE, AND THAT ALL THE FIXING SCREW ARE TIGHT.
- ALWAYS USE THE LADDER FOR ENTERING AND LEAVING THE UPPER BUNK.
- DO NOT ALLOW HORSEPLAY ON OR UNDER THE BED AND PROHIBIT JUMPING ON THE BED.
- THIS UNIT IS HEAVY. PLEASE USE AN ASSISTANT WHEN LIFTING.
- USE GUARDRAILS ON BOTH LONG SIDES OF THE UPPER BUNK.











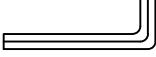
GENERAL CARE

- Wipe clean with a slightly damp soft cloth.
- Avoid the use of all household cleaners and abrasives.
- When moving your furniture, carefully lift into place.
- Never drag or push the pieces across the floor as this will cause damage to the joints.

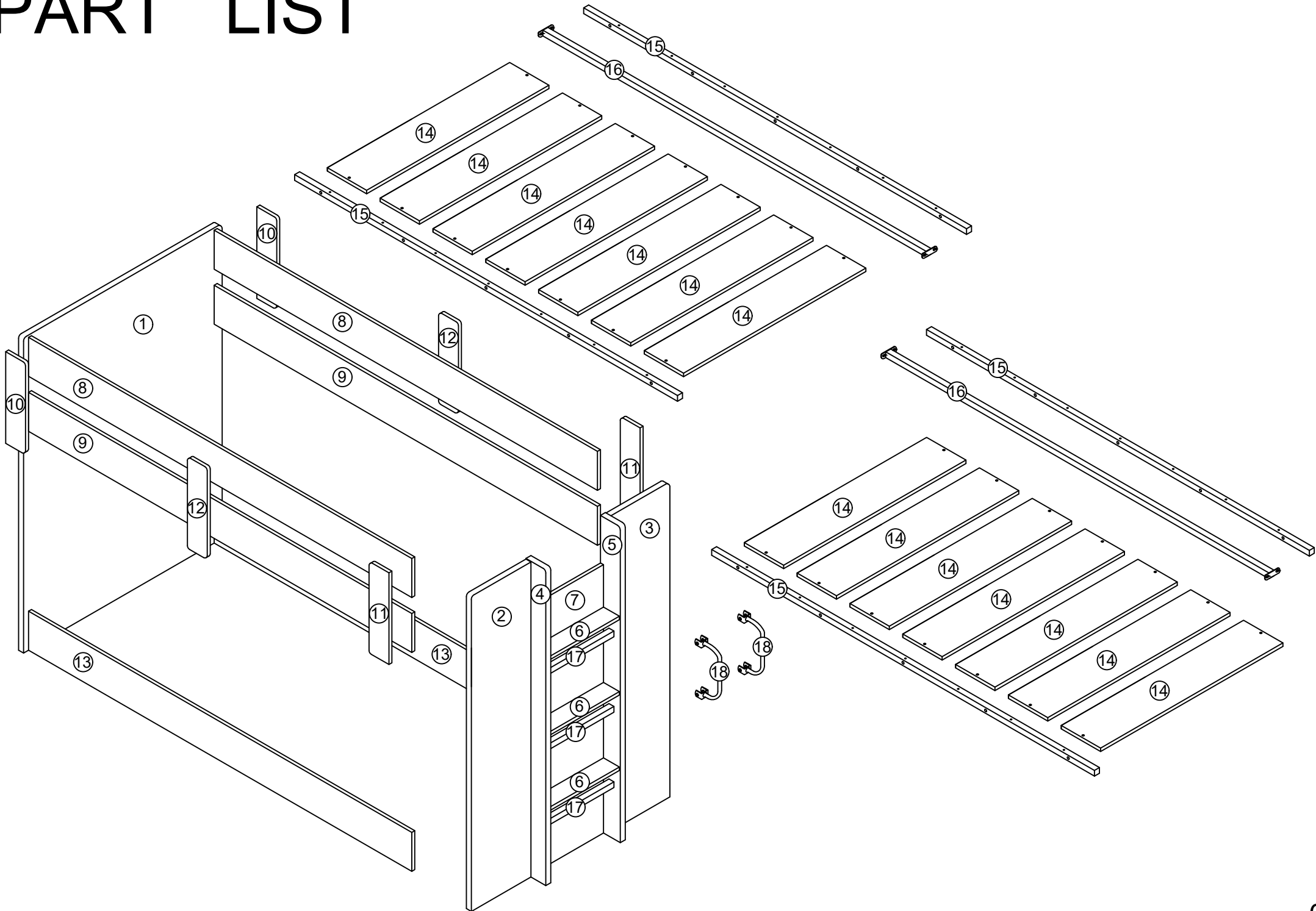
MODEL: SS 9036

Bunk Bed

HARDWARE LIST

PART NO.	PART NAME		PCS
A	DOWEL Ø8x25mm		34
B	JCBC M6x60mm		24
C	JCBC M6x45mm		6
D	JCBC M6x35mm		8
F	JCBC M6x25mm		52
G	JCBC M6x10mm		8
H	JCBC M6x45mm M6 x 13 JCN		12 set
I	JCBC M6x25mm M6 x 13 JCN		4 set
J	M6 x 13 JRN		24
K	KNBO DOWN FITTING		27 set
L	ALLENKEY		3

PART LIST

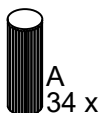
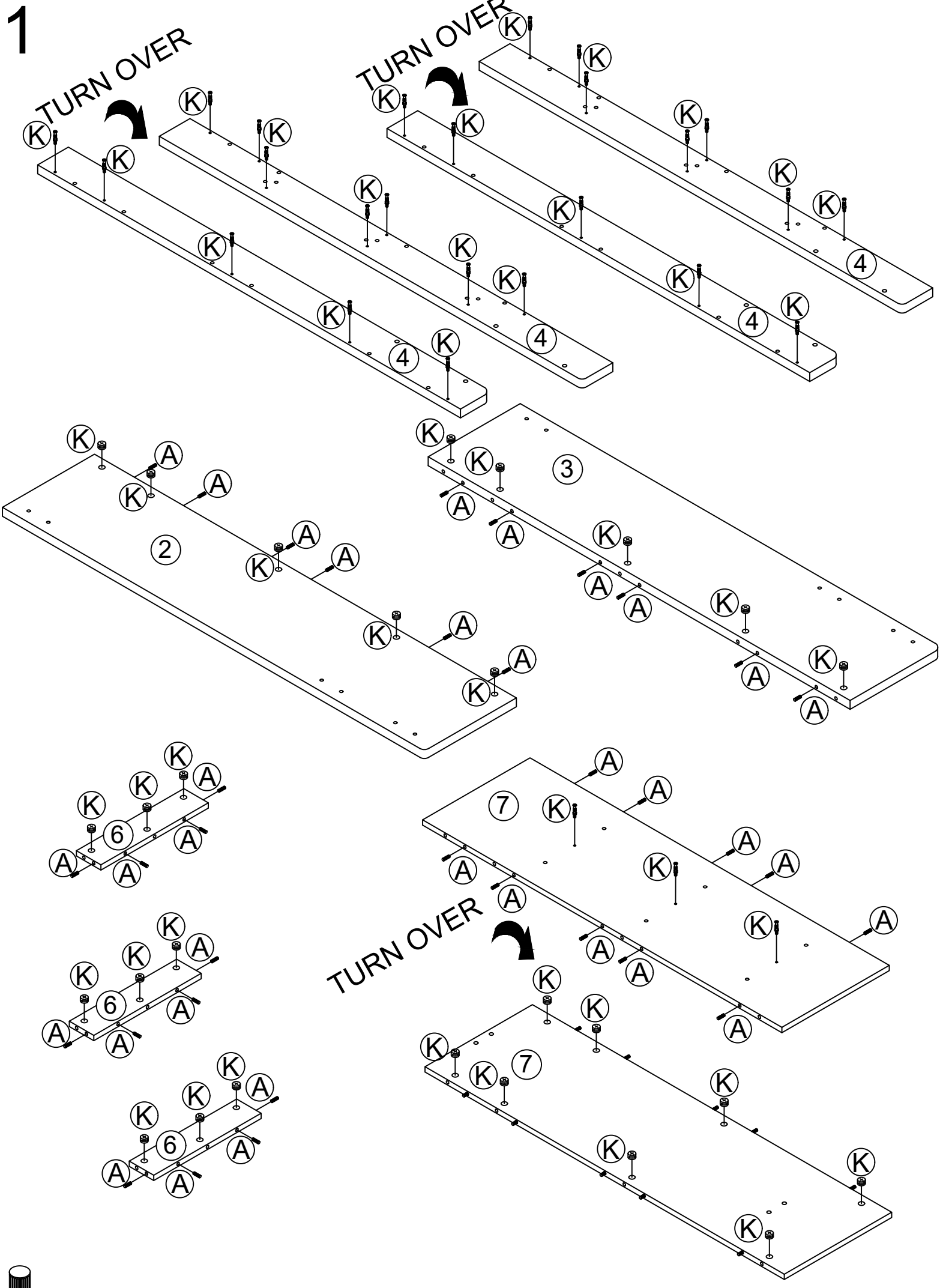


1

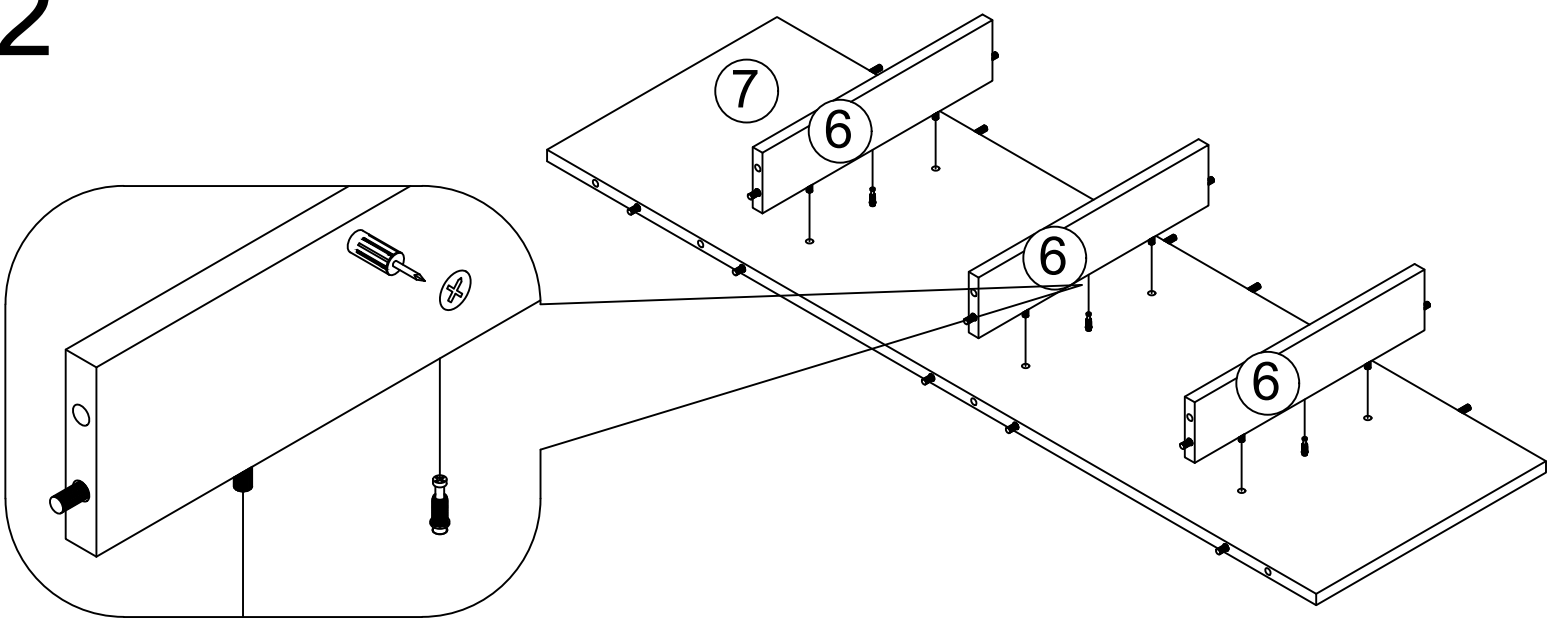
TURN OVER

TURN OVER

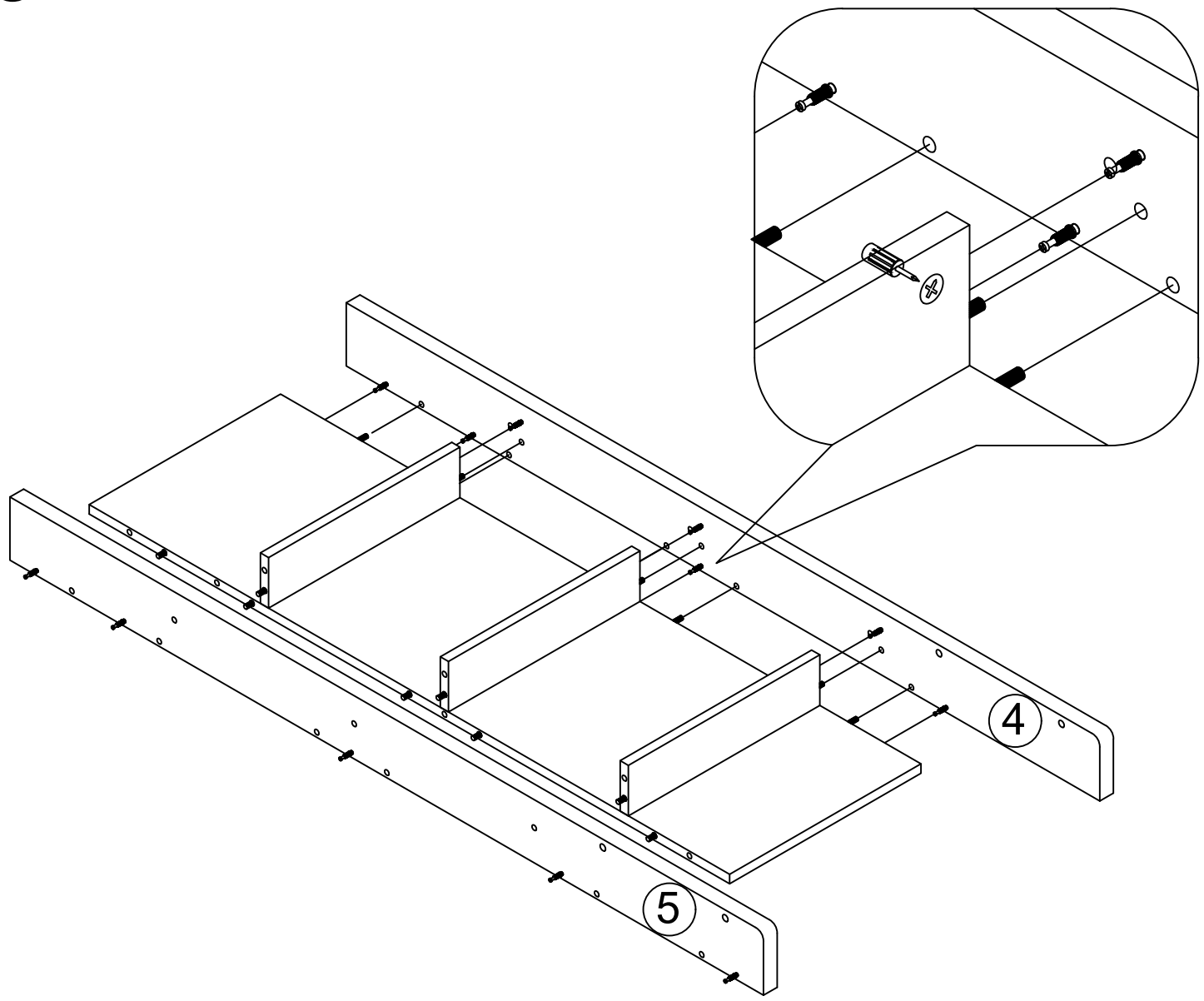
TURN OVER



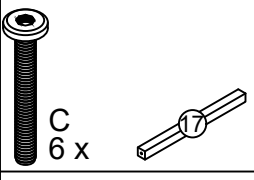
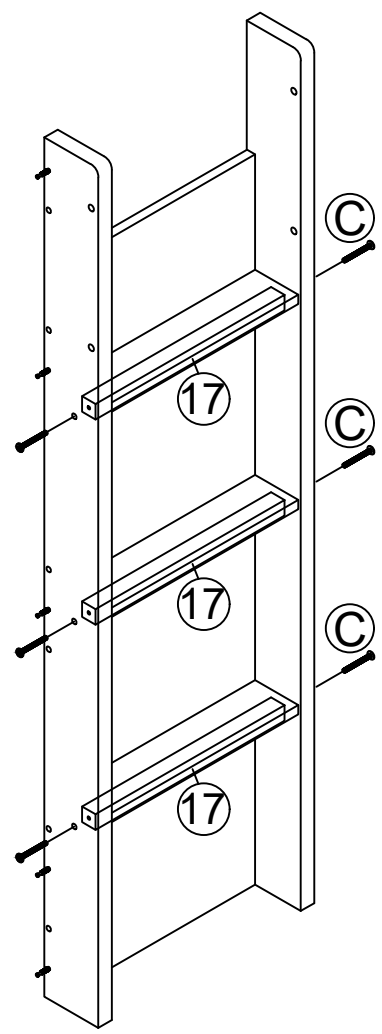
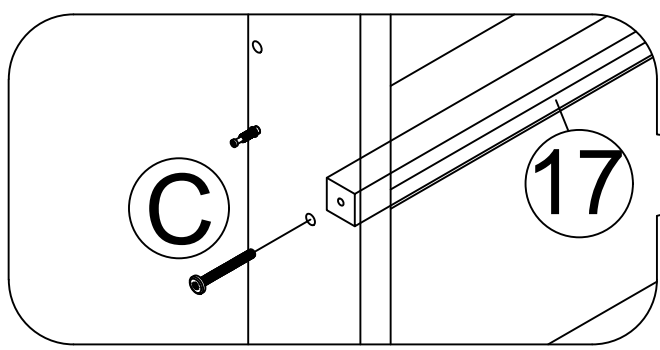
2



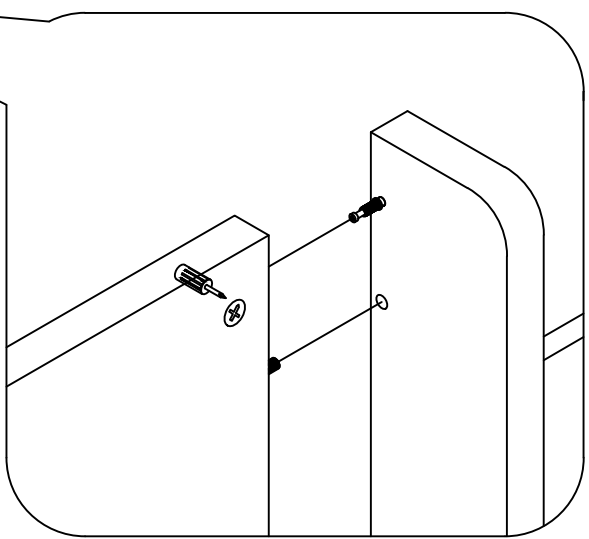
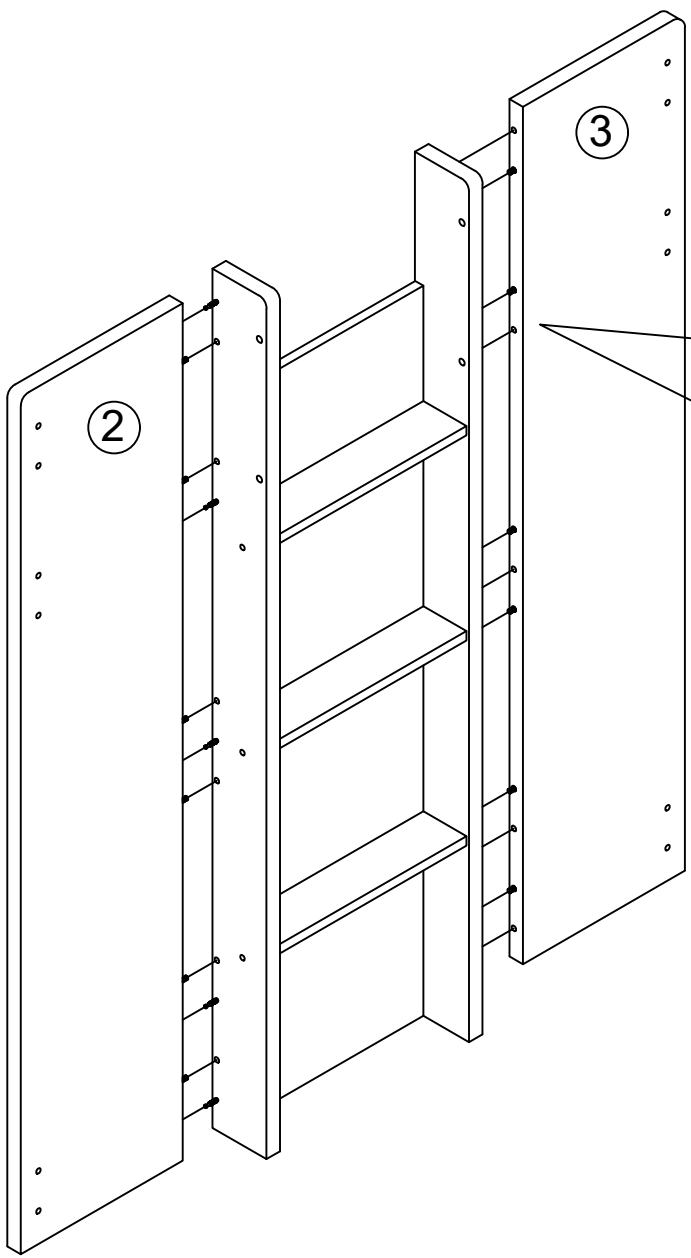
3



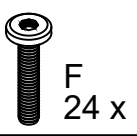
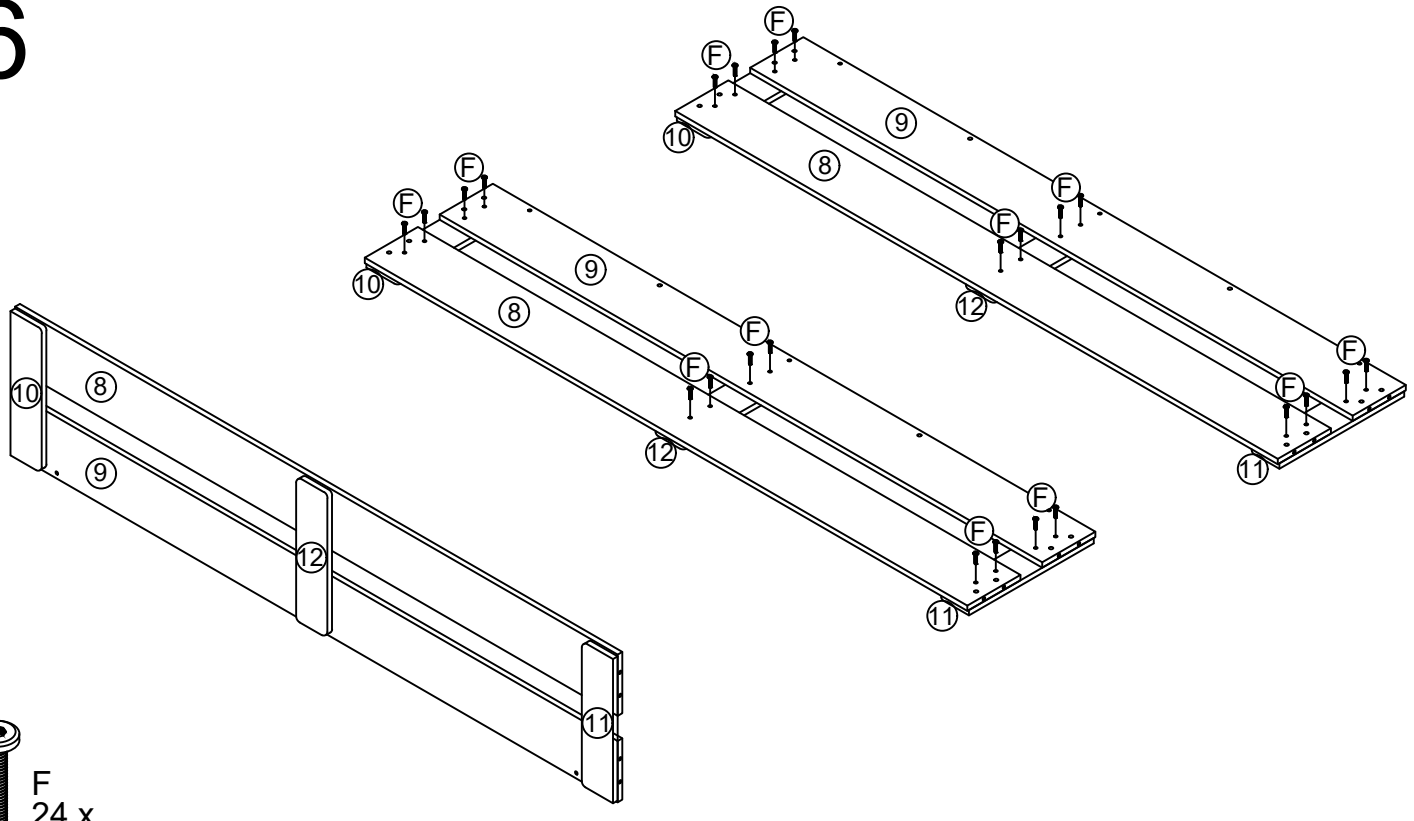
4



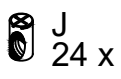
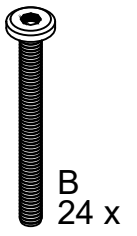
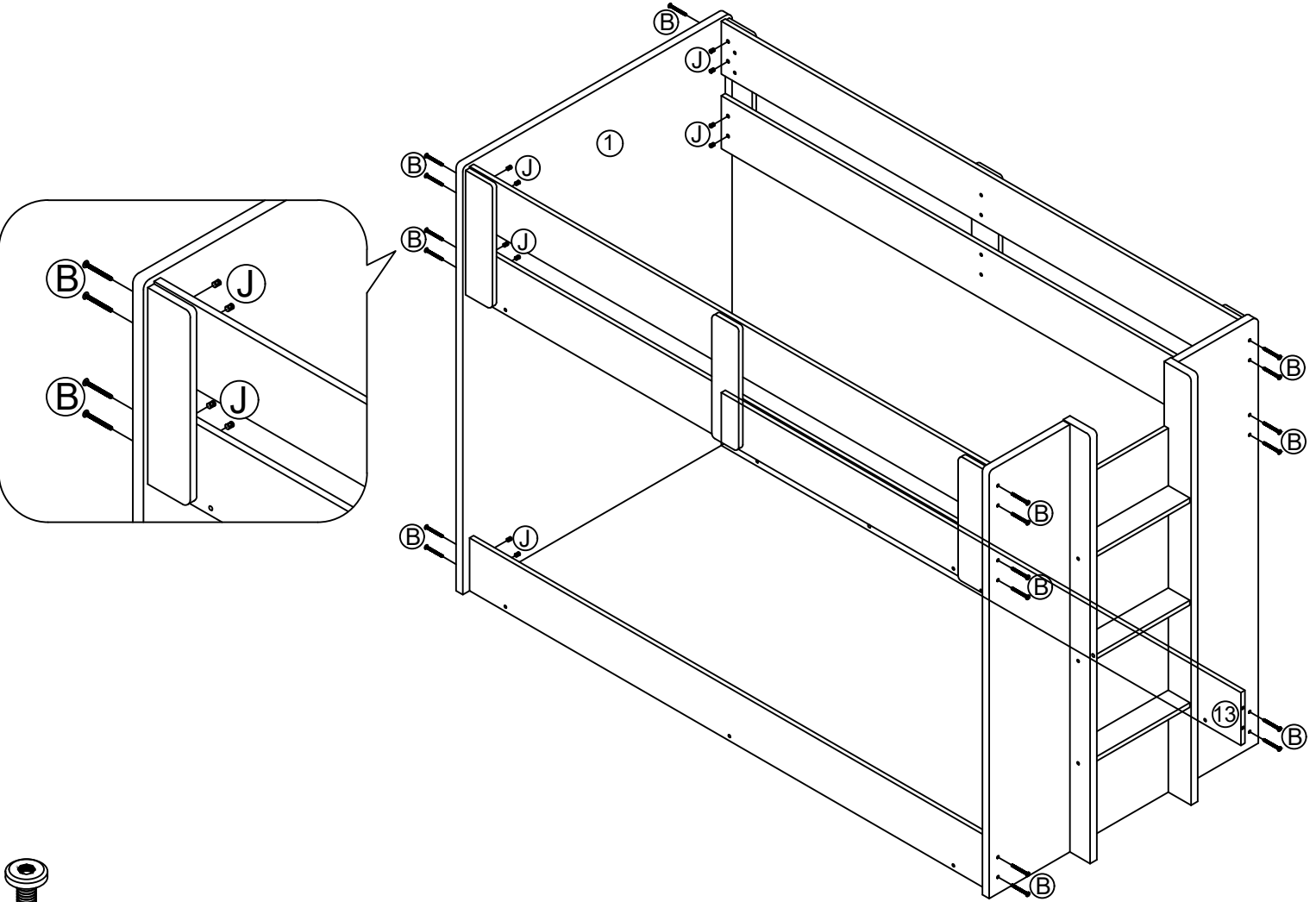
5



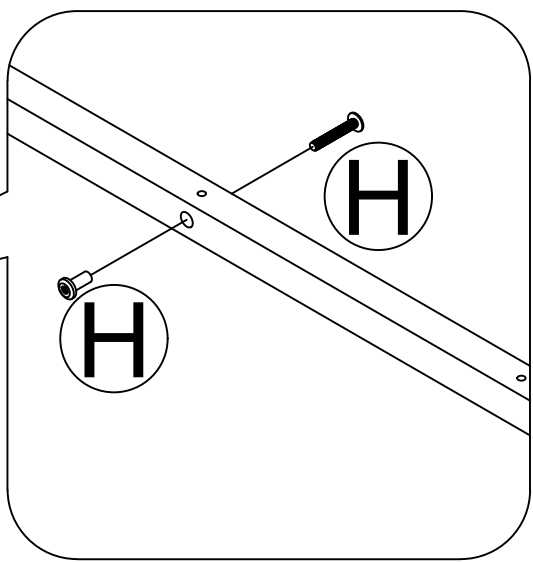
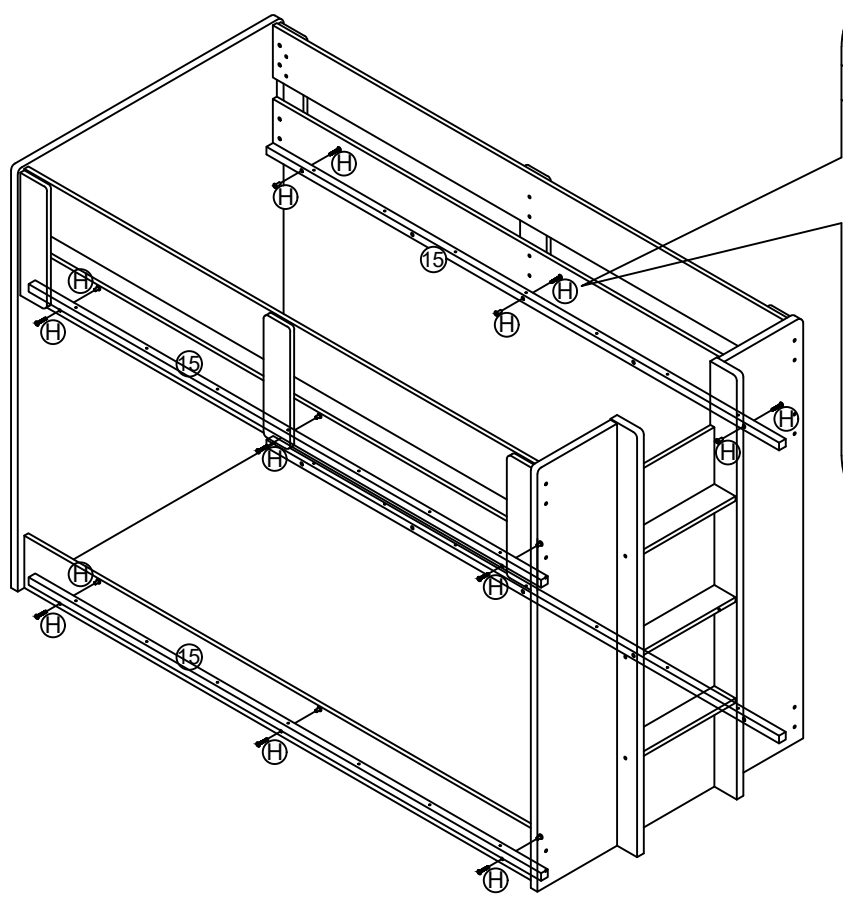
6



7

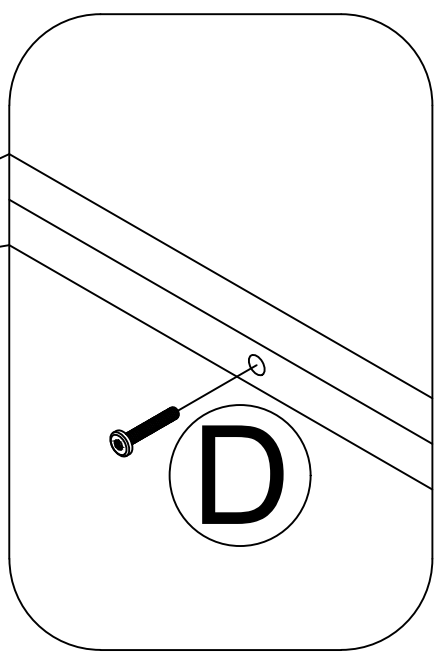
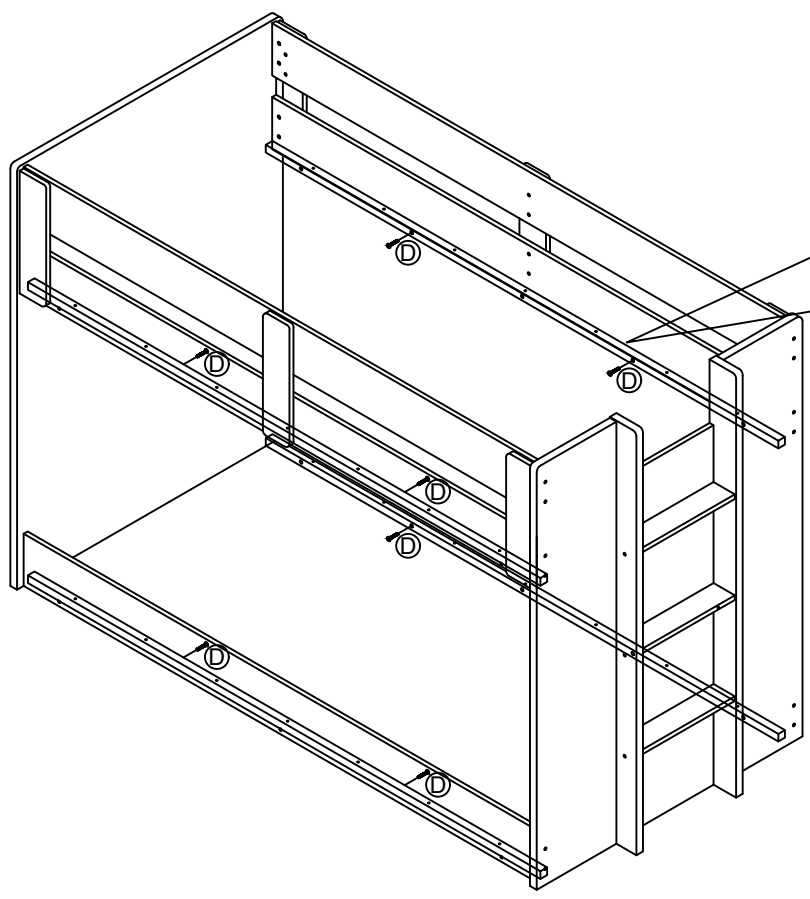


8



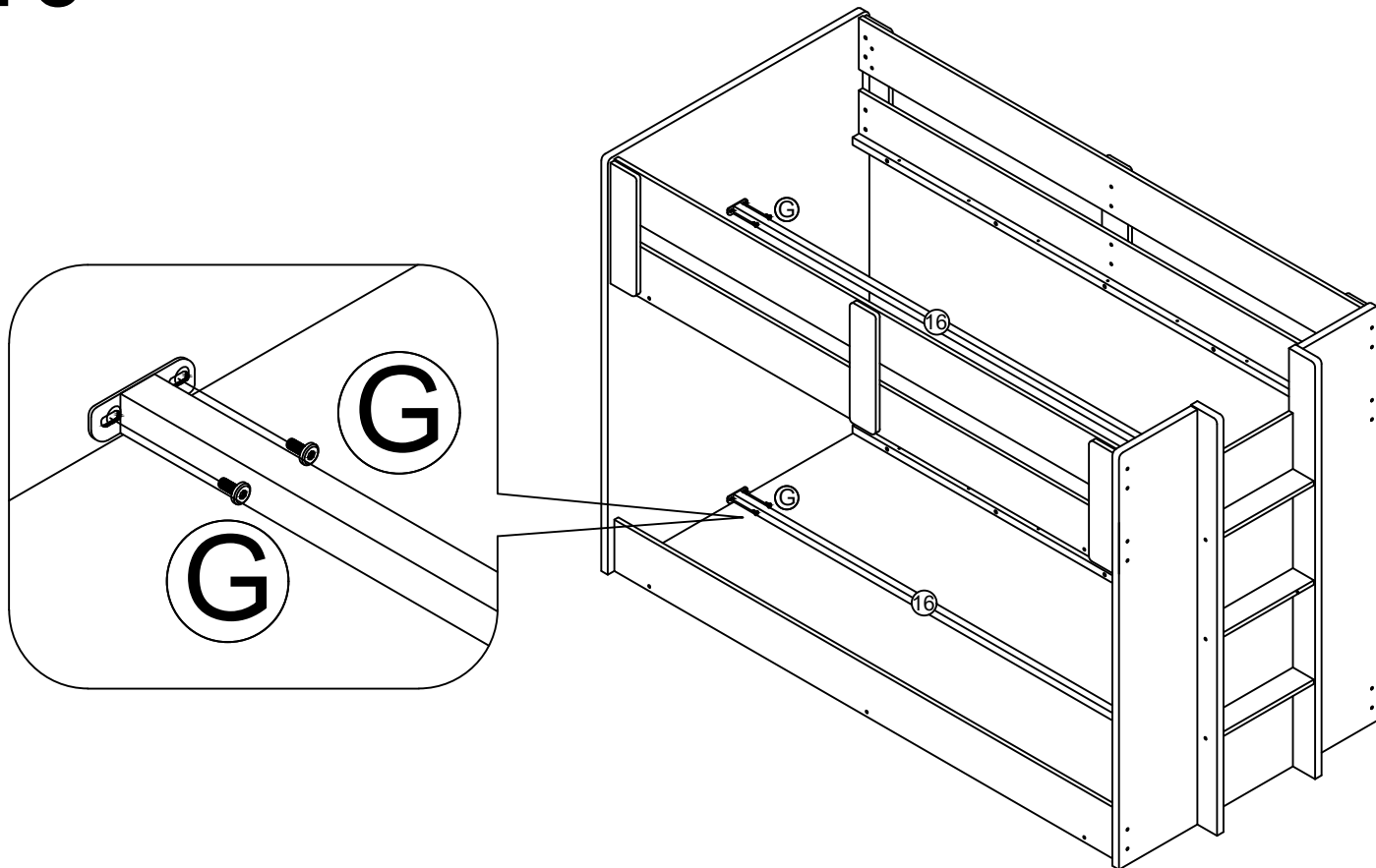
H
12 sets x

9



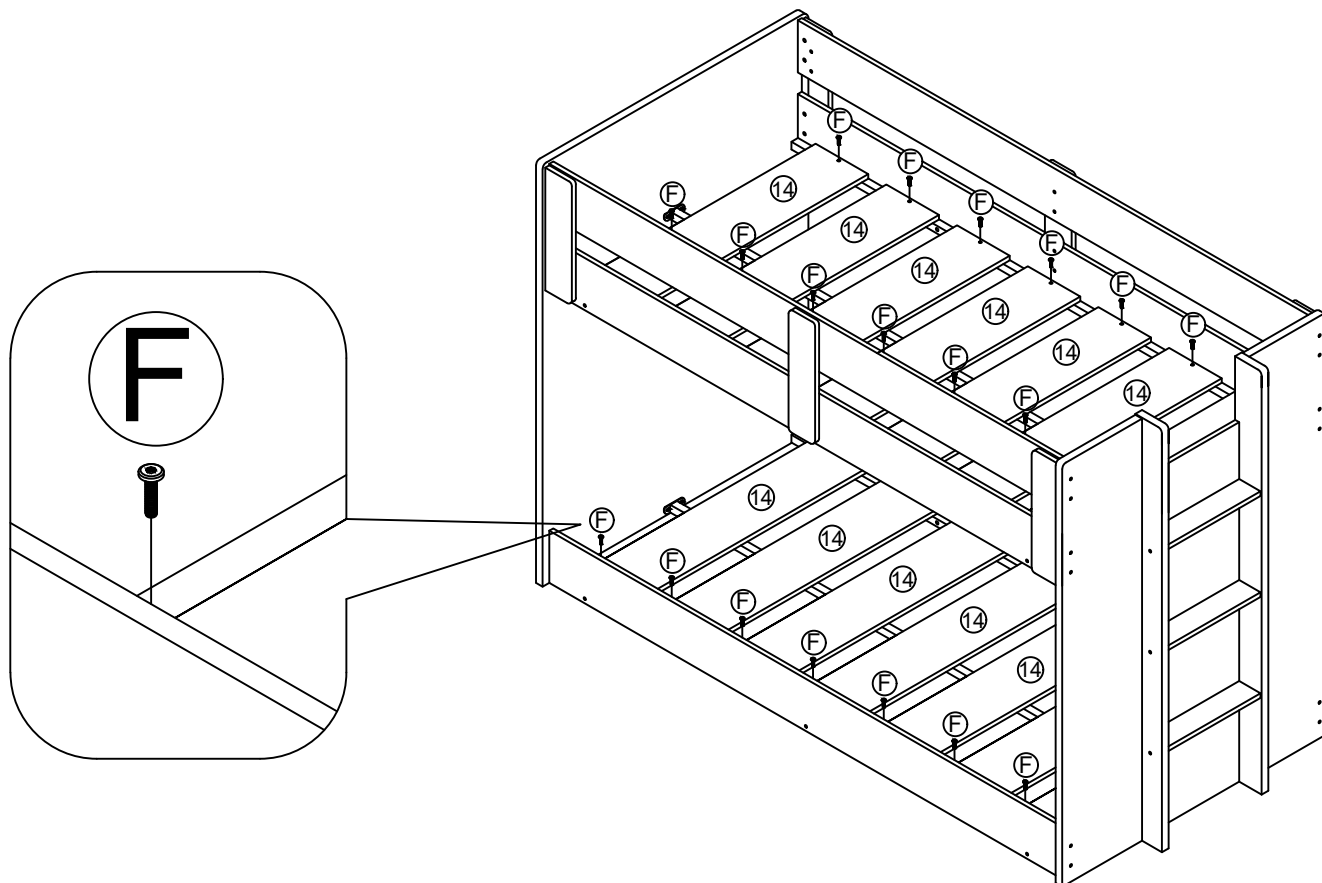
D
8 x

10



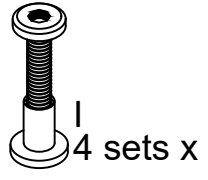
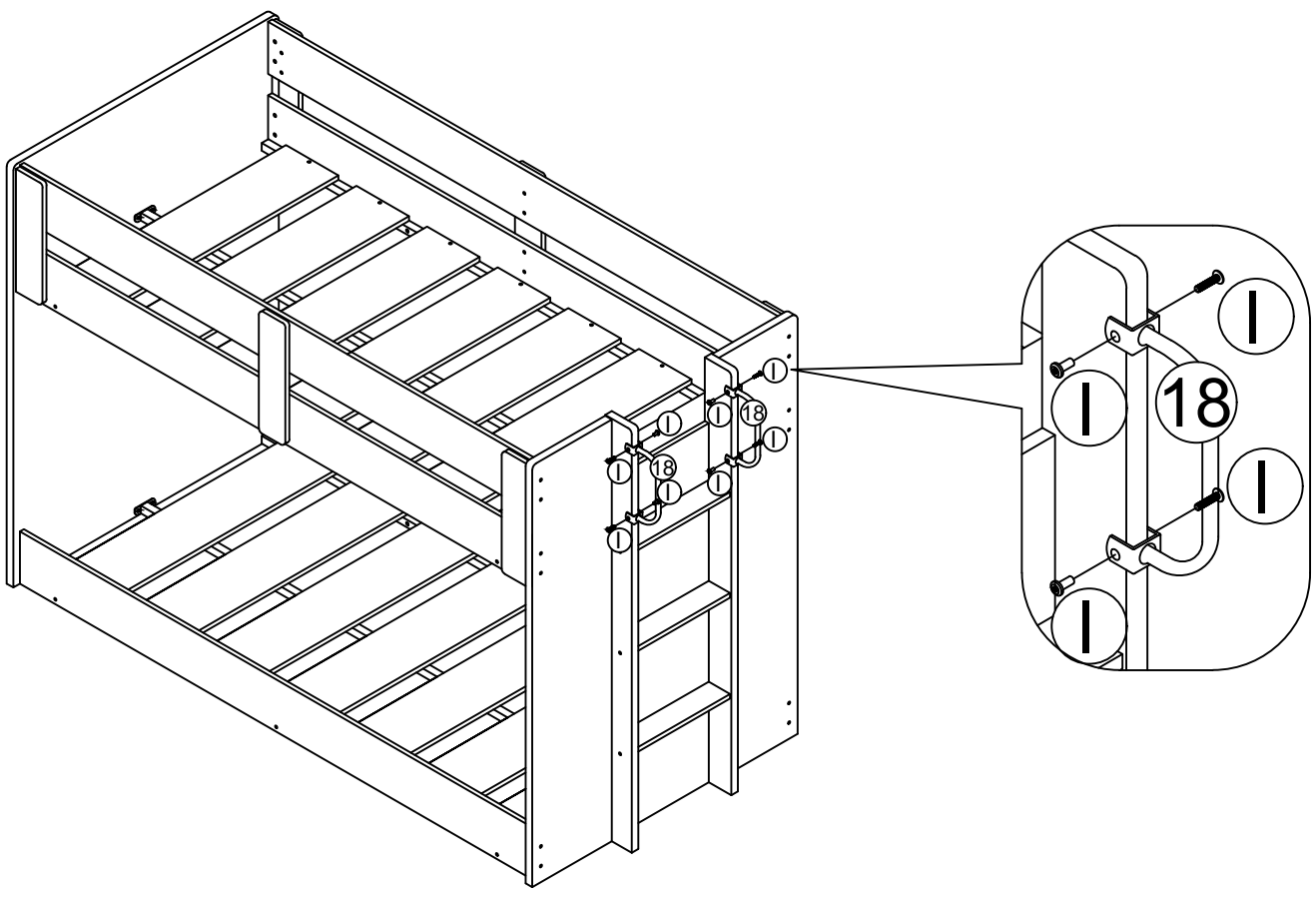
G
8 x

11



F
28 x

12



13

