



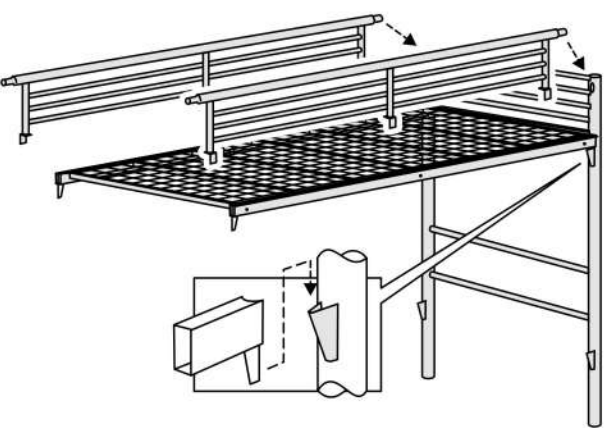
ASSEMBLY INSTRUCTION

MODEL : ARB

DESCRIPTION : ARMY BUNK (SINGLE)

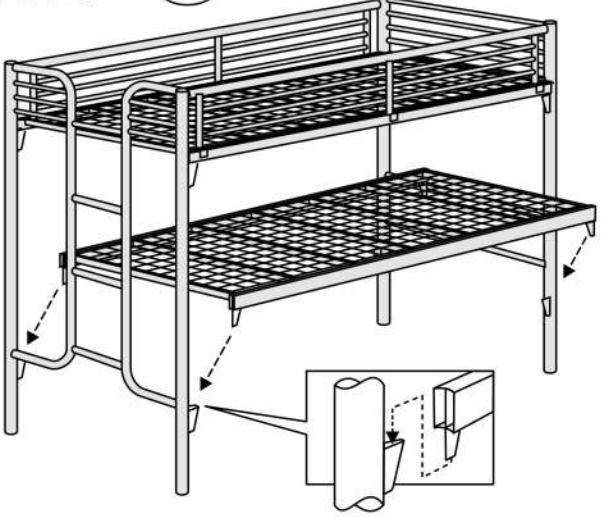
A		ALLEN KEY	1	B	 M6 X 16mm	ALLEN KEY SCREW & WASHER	6
---	---	-----------	---	---	--	--------------------------	---

STEP 1



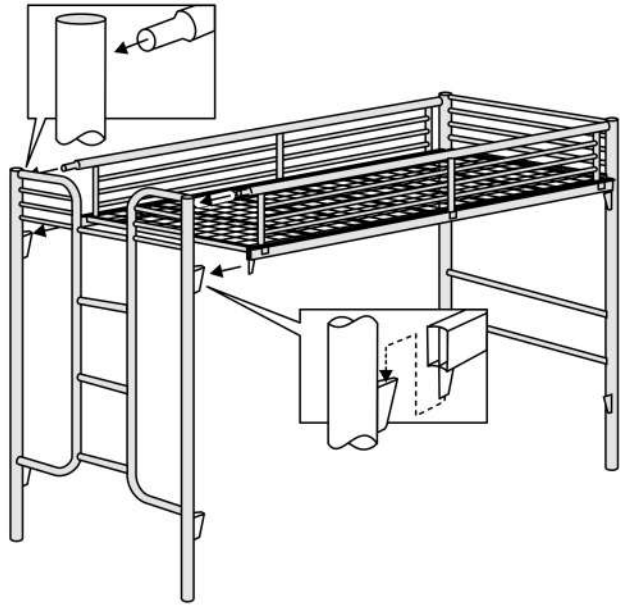
* Rubber mallet is required to secure the 4 corners of mesh base to the end frames

STEP 3



* Rubber mallet is required to secure the 4 corners of mesh base to the end frames

STEP 2



STEP 4

