


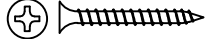

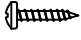
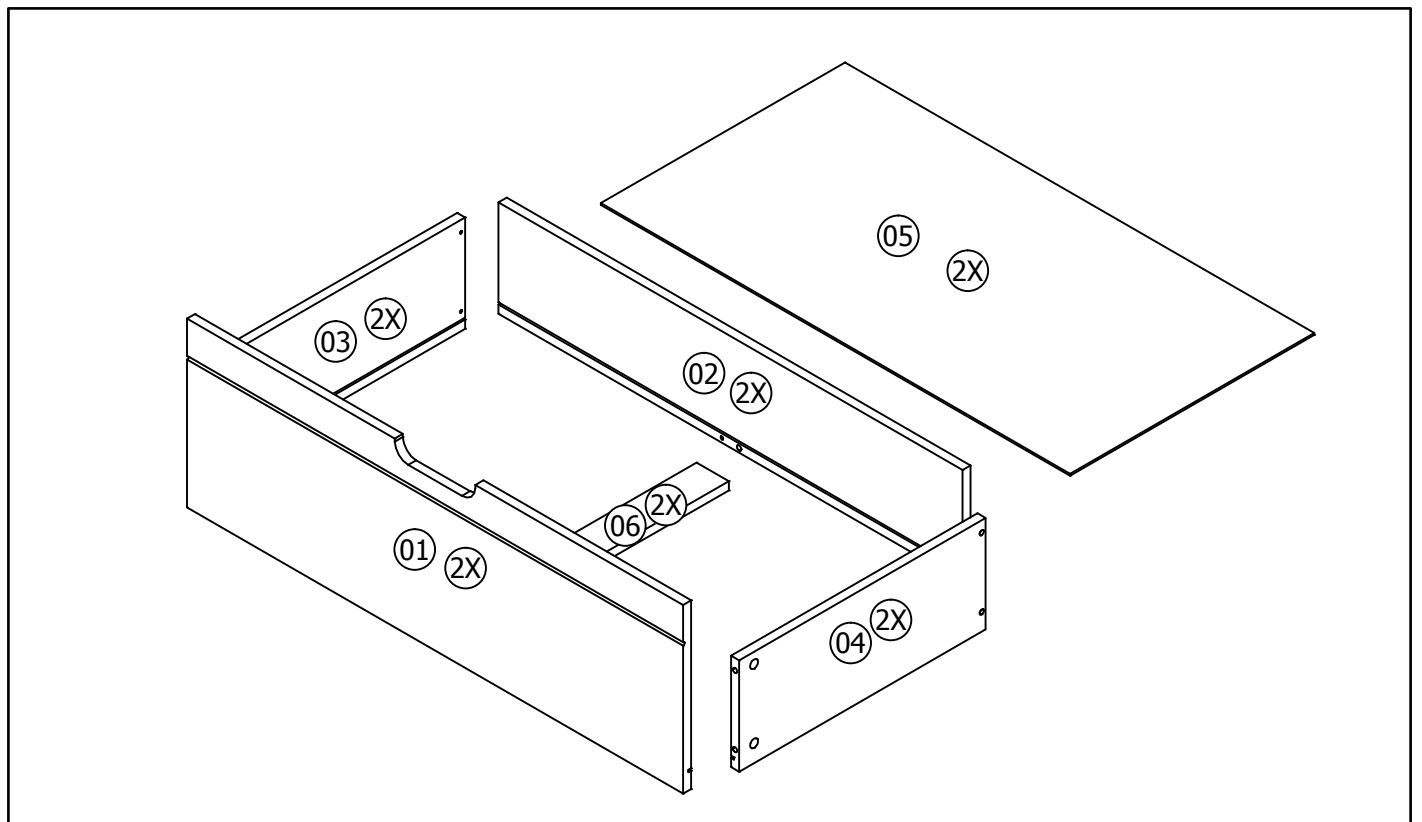


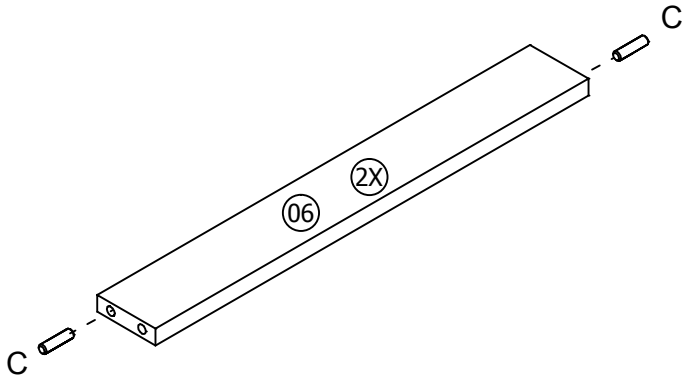
HARDWARE



A		12
B		12
C	 Ø8x30mm	04

D	 8mm Ø4x30mm	08
E		08
F	 7mm Ø3x14mm	16

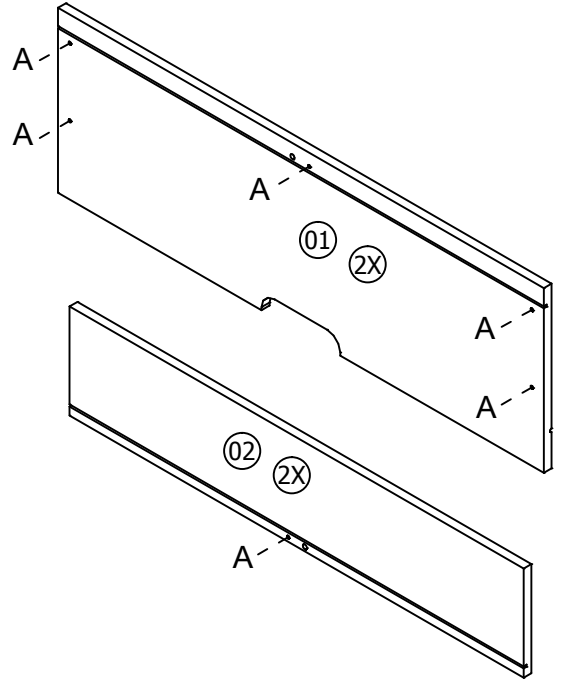


01



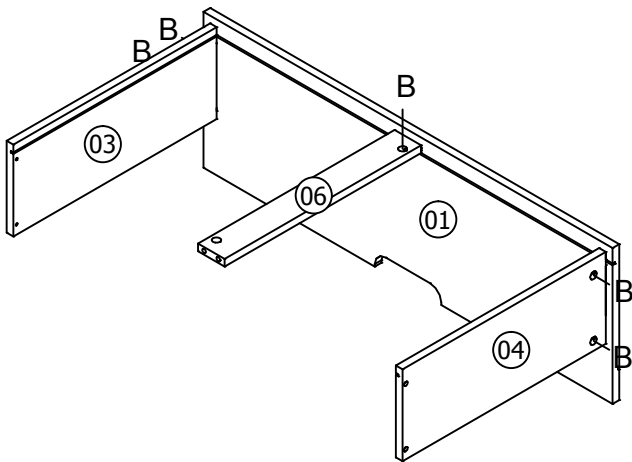
C	 Ø8x30mm	04	A		12
---	--	----	---	---	----

02



03

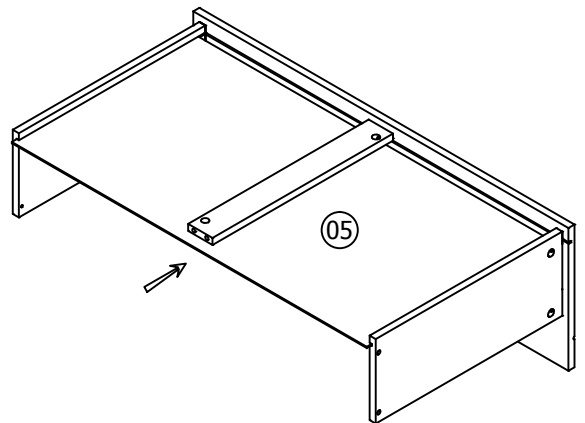
2X



B		10
---	---	----

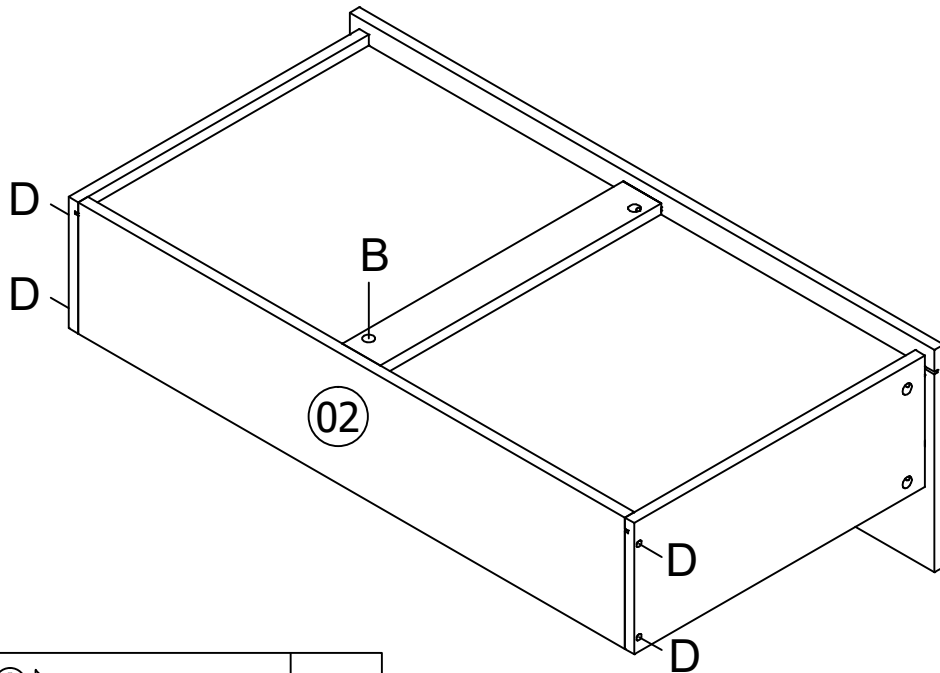
04

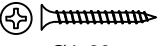

2X



05

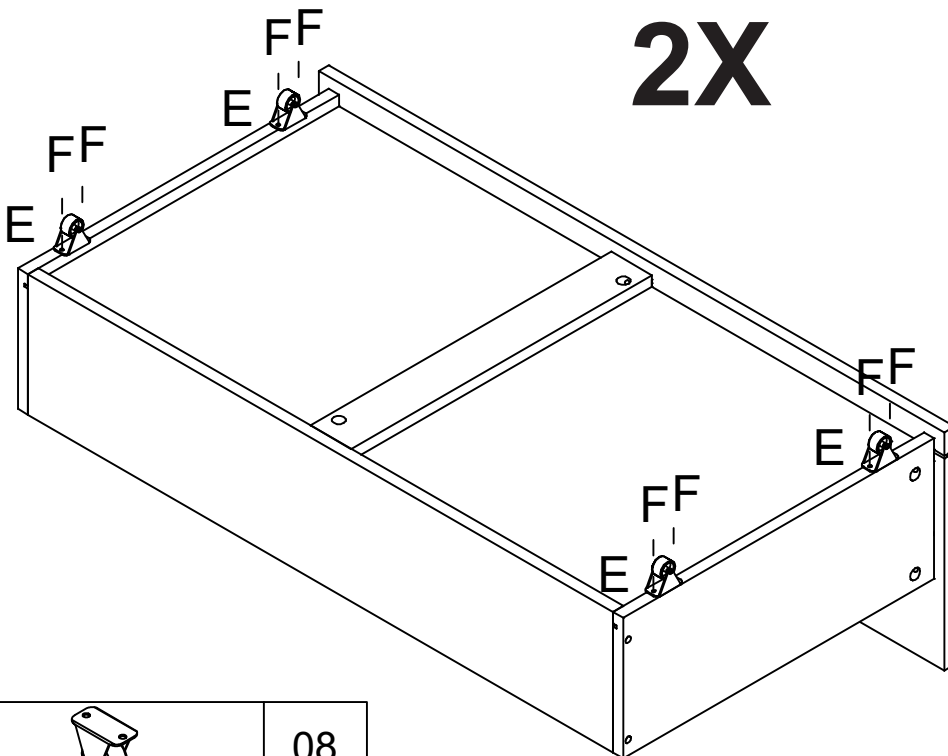
2X


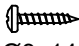


D	 8mm Ø4x30mm	08
B		02

06

2X



E		08
F	 7mm Ø3x14mm	16